

SKIL®

Owner's Manual
Guide d'utilisation
Manual del propietario



Model/ Modelo/ Modèle: JS313101

5A Jigsaw 5A Scie sauteuse Sierra de vaivén de 5A

▲ WARNING: To reduce the risk of injury, the user must read and understand the Owner's Manual before using this product. Save these instructions for future reference.

▲ AVERTISSEMENT : Afin de réduire les risques de blessure, l'utilisateur doit lire et comprendre le guide d'utilisation avant d'utiliser cet article. Conservez le présent guide afin de pouvoir le consulter ultérieurement.

▲ ADVERTENCIA : Para reducir el riesgo de lesiones, el usuario debe leer y comprender el Manual del operador antes de utilizar este producto. Guarde estas instrucciones para consultarlas en caso sea necesario.



For Customer Service
Pour le service à la clientèle
Servicio al cliente

1-877-SKIL-999 OR www.skil.com

TABLE OF CONTENTS

General Power Tool Safety Warnings	3-4
Safety Warnings for Jigsaws	4
Additional Safety Warnings	5
Symbols	6-9
Get to Know Your Jigsaw	10
Specifications	11
Operating Instructions	12-18
Maintenance	19
Extension Cords	20
Troubleshooting	21
Limited warranty of SKIL consumer portable, benchtop and hd and shd heavy duty power tools	22

WARNING

- Some dust created by power sanding, sawing, grinding, drilling and other construction activities contains chemicals known to the State of California to cause cancer, birth defects or other reproductive harm. Some examples of these chemicals are:
 - Lead from lead-based paints.
 - Crystalline silica from bricks, cement, and other masonry products.
 - Arsenic and chromium from chemically-treated lumber.
- Your risk from these exposures varies, depending upon how often you do this type of work. To reduce your exposure to these chemicals:
 - Work in a well-ventilated area.
 - Work with approved safety equipment, such as dust masks that are specially designed to filter out microscopic particles.
 - Avoid prolonged contact with dust from power sanding, sawing, grinding, drilling, and other construction activities. Wear protective clothing and wash exposed areas with soap and water. Allowing dust to get into your mouth or eyes or to lie on the skin may promote absorption of harmful chemicals.

GENERAL POWER TOOL SAFETY WARNINGS



Read all safety warnings, instructions, illustrations and specifications provided with this power tool. Failure to follow all instructions listed below may result in electric shock, fire and/or serious injury.

SAVE ALL WARNINGS AND INSTRUCTIONS FOR FUTURE REFERENCE.

The term “power tool” in the warnings refers to your mains-operated (corded) power tool or battery-operated (cordless) power tool.

Work area safety

Keep work area clean and well lit. Cluttered or dark areas invite accidents.

Do not operate power tools in explosive atmospheres, such as in the presence of flammable liquids, gases or dust. Power tools create sparks which may ignite the dust or fumes.

Keep children and bystanders away while operating a power tool. Distractions can cause you to lose control.

Electrical safety

Power tool plugs must match the outlet. Never modify the plug in any way. Do not use any adapter plugs with earthed (grounded) power tools. Unmodified plugs and matching outlets will reduce risk of electric shock.

Avoid body contact with earthed or grounded surfaces, such as pipes, radiators, ranges and refrigerators. There is an increased risk of electric shock if your body is earthed or grounded.

Do not expose power tools to rain or wet conditions. Water entering a power tool will increase the risk of electric shock.

Do not abuse the cord. Never use the cord for carrying, pulling or unplugging the power tool. Keep cord away from heat, oil, sharp edges or moving parts. Damaged or entangled cords increase the risk of electric shock.

When operating a power tool outdoors, use an extension cord suitable for outdoor use. Use of a cord suitable for outdoor use reduces the risk of electric shock.

If operating a power tool in a damp location is unavoidable, use a ground fault circuit interrupter (GFCI) protected supply. Use of a GFCI reduces the risk of electric shock.

Personal safety

Stay alert, watch what you are doing and use common sense when operating a power tool. Do not use a power tool while you are tired or under the influence of drugs, alcohol or medication. A moment of inattention while operating power tools may result in serious personal injury.

Use personal protective equipment. Always wear eye protection. Protective equipment such as a dust mask, non-skid safety shoes, hard hat or hearing protection used for appropriate conditions will reduce personal injuries.

Prevent unintentional starting. Ensure the switch is in the off-position before connecting to power source and/or battery pack, picking up or carrying the tool. Carrying power tools with your finger on the switch or energising power tools that have the switch on invites accidents.

Remove any adjusting key or wrench before turning the power tool on. A wrench or a key left attached to a rotating part of the power tool may result in personal injury.

Do not overreach. Keep proper footing and balance at all times. This enables better control of the power tool in unexpected situations.

Dress properly. Do not wear loose clothing or jewellery. Keep your hair, clothing and gloves away from moving parts. Loose clothes, jewellery or long hair can be caught in moving parts.

If devices are provided for the connection of dust extraction and collection facilities, ensure these are connected and properly used. Use of dust collection can reduce dust-related hazards.

Do not let familiarity gained from frequent use of tools allow you to become complacent and ignore tool safety principles. A careless action can cause severe injury within a fraction of a second.

Power tool use and care

Do not force the power tool. Use the correct power tool for your application. The correct power tool will do the job better and safer at the rate for which it was designed.

Do not use the power tool if the switch does not turn it on and off. Any power tool that cannot be controlled with the switch is dangerous and must be repaired.

Disconnect the plug from the power source and/or remove the battery pack, if detachable, from the power tool before making any adjustments, changing accessories, or storing power tools. Such preventive safety measures reduce the risk of starting the power tool accidentally.

Store idle power tools out of the reach of children and do not allow persons unfamiliar with the power tool or these instructions to operate the power tool.

Power tools are dangerous in the hands of untrained users.

Maintain power tools and accessories. Check for misalignment or binding of moving parts, breakage of parts and any other condition that may affect the power tool's operation. If damaged, have the power tool repaired before use.

Many accidents are caused by poorly maintained power tools.

Keep cutting tools sharp and clean. Properly maintained cutting tools with sharp cutting edges are less likely to bind and are easier to control.

Use the power tool, accessories and tool bits etc. in accordance with these instructions, taking into account the working conditions and the work to be performed. Use of the power tool for operations different from those intended could result in a hazardous situation.

Keep handles and grasping surfaces dry, clean and free from oil and grease.

Slippery handles and grasping surfaces do not allow for safe handling and control of the tool in unexpected situations.

Service

Have your power tool serviced by a qualified repair person using only identical replacement parts. This will ensure that the safety of the power tool is maintained.

SAFETY WARNINGS FOR JIGSAWS

Hold the power tool by insulated gripping surfaces, when performing an operation where the cutting accessory may contact hidden wiring or its own cord. Cutting accessory contacting a "live" wire may make exposed metal parts of the power tool "live" and could give the operator an electric shock.

Use clamps or another practical way to secure and support the workpiece to a stable platform. Holding the workpiece by hand or against your body leaves it unstable and may lead to loss of control.

ADDITIONAL SAFETY WARNINGS

Secure material before cutting. Never hold it in your hand or across legs. Small or thin material may flex or vibrate with the blade, causing loss of control.

Do not drill, fasten or break into existing walls or other blind areas where electrical wiring may exist. If this situation is unavoidable, disconnect all fuses or circuit breakers feeding this worksite.

Never leave the trigger locked "ON". Before plugging the tool in, check that the trigger lock is "OFF". Accidental start-ups could cause injury.

Be aware of the location and setting of the switch "Lock-ON" button. If the switch is locked "ON" during the use, be ready for emergency situations to switch it "OFF", by first pulling the trigger then immediately releasing it without pressing the "Lock-ON" button.

Keep hands away from cutting area. Do not reach under the material being cut. The proximity of the blade to your hand is hidden from your sight.

Do not use dull or damaged blades. Bent blade can break easily or cause kickback.

Before starting to cut, turn tool "ON" and allow the blade to come to full speed. Tool can chatter or vibrate if blade speed is too slow at beginning of cut and possibly kickback.

Always wear safety goggles or eye protection when using this tool. Use a dust mask or respirator for applications which generate dust.

Make certain all adjusting screws and the blade holder are tight before making a cut. Loose adjusting screws and holders can cause the tool or blade to slip and loss of control may result.

When removing the blade from the tool avoid contact with skin and use proper protective gloves when grasping the blade or accessory. Accessories may be hot after prolonged use.

GFCI and personal protection devices like electrician's rubber gloves and footwear will further enhance your personal safety.

Do not use AC only rated tools with a DC power supply. While the tool may appear to work, the electrical components of the AC rated tool are likely to fail and create a hazard to the operator.

Keep handles dry, clean and free from oil and grease. Slippery hands cannot safely control the power tool.

Develop a periodic maintenance schedule for your tool. When cleaning a tool be careful not to disassemble any portion of the tool since internal wires may be misplaced or pinched or safety guard return springs may be improperly mounted. Certain cleaning agents such as gasoline, carbon tetrachloride, ammonia, etc. may damage plastic parts.

Risk of injury to user. The power cord must only be serviced by a SKIL Factory Service Center or Authorized SKIL Service Station.

SYMBOLS

Safety Symbols

The purpose of safety symbols is to attract your attention to possible dangers. The safety symbols and the explanations with them deserve your careful attention and understanding. The symbol warnings do not, by themselves, eliminate any danger. The instructions and warnings they give are no substitutes for proper accident prevention measures.

⚠ WARNING Be sure to read and understand all safety instructions in this Owner's Manual, including all safety alert symbols such as "**DANGER**," "**WARNING**," and "**CAUTION**" before using this tool. Failure to following all instructions listed below may result in electric shock, fire, and/or serious personal injury.

The definitions below describe the level of severity for each signal word. Please read the manual and pay attention to these symbols.



This is the safety alert symbol. It is used to alert you to potential personal injury hazards. Obey all safety messages that follow this symbol to avoid possible injury or death.



DANGER indicates a hazardous situation which, if not avoided, will result in death or serious injury.



WARNING indicates a hazardous situation which, if not avoided, could result in death or serious injury.



CAUTION, used with the safety alert symbol, indicates a hazardous situation which, if not avoided, will result in minor or moderate injury.

Damage Prevention and Information Messages

These inform the user of important information and/or instructions that could lead to equipment or other property damage if they are not followed. Each message is preceded by the word "NOTICE", as in the example below:





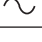




NOTICE: Equipment and/or property damage may result if these instructions are not followed.





The operation of any power tools can result in foreign objects being thrown into your eyes, which can result in severe eye damage. Before beginning power tool operation, always wear safety goggles or safety glasses with side shields and a full face shield when needed. We recommend a Wide Vision Safety Mask for use over eyeglasses or standard safety glasses with side shields. Always use eye protection which is marked to comply with ANSI Z87.1.

SYMBOLS (CONTINUED)



IMPORTANT: Some of the following symbols may be used on your tool. Please study them and learn their meaning. Proper interpretation of these symbols will allow you to operate the tool better and safer.

Symbol	Name	Designation/Explanation
V	Volts	Voltage (potential)
A	Amperes	Current
Hz	Hertz	Frequency (cycles per second)
W	Watt	Power
kg	Kilograms	Weight
min	Minutes	Time
s	Seconds	Time
∅	Diameter	Size of drill bits, grinding wheels, etc.
n_0	No load speed	Rotational speed, at no load
n	Rated speed	Maximum attainable speed
.../min	Revolutions or reciprocation per minute	Revolutions, strokes, surface speed, orbits, etc. per minute
0	Off position	Zero speed, zero torque...
1,2,3,... I,II,III,	Selector settings	Speed, torque or position settings. Higher number means greater speed
	Infinitely variable selector with off	Speed is increasing from 0 setting
	Arrow	Action in the direction of arrow
	Alternating current	Type or a characteristic of current
	Direct current	Type or a characteristic of current
	Alternating or direct current	Type or a characteristic of current
	Class II tool	Designates Double Insulated Construction tools.
	Earthing terminal	Grounding terminal
	Li-ion RBRC seal	Designates Li-ion battery recycling program
	Ni-Cad RBRC seal	Designates Ni-Cad battery recycling program

Symbol	Name	Designation/Explanation
	Read manual symbol	Alerts user to read manual
	Wear eye protection symbol	Alerts user to wear eye protection

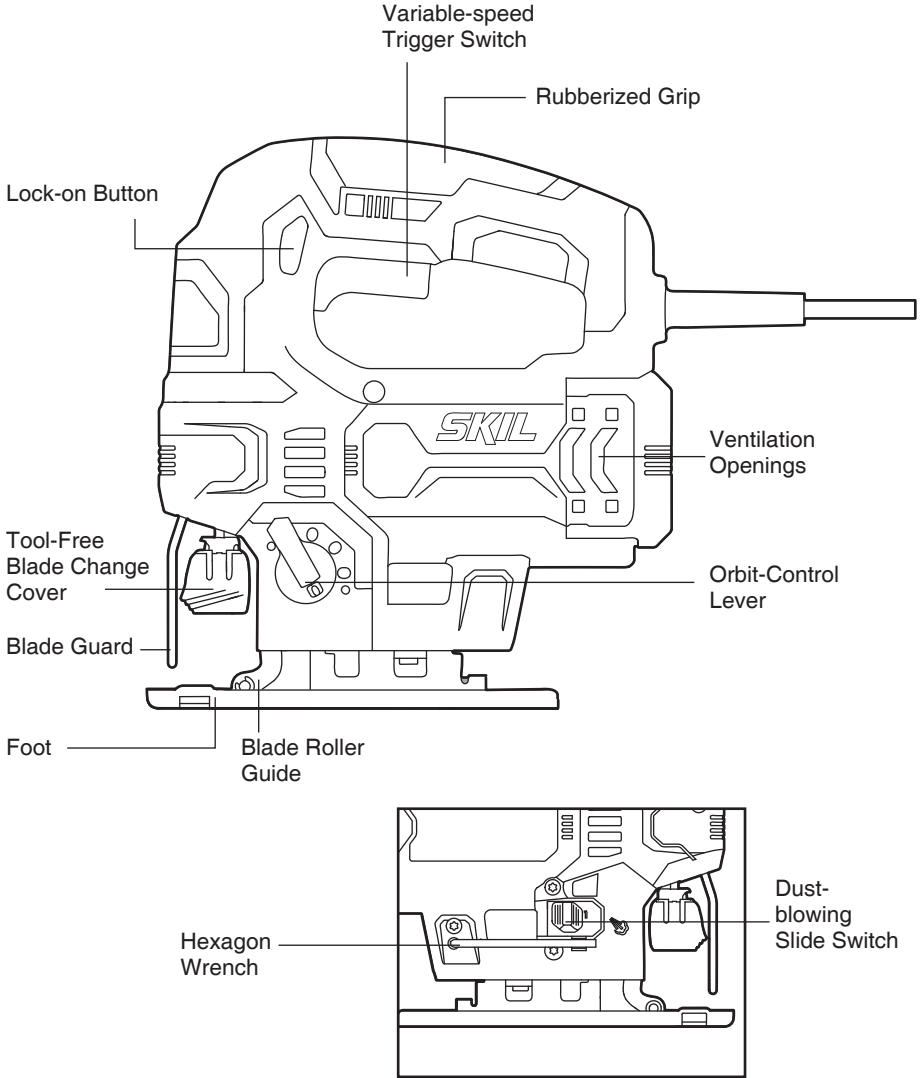
SYMBOLS (CERTIFICATION INFORMATION)

IMPORTANT: Some of the following symbols for certification information may be used on your tool. Please study them and learn their meaning. Proper interpretation of these symbols will allow you to operate the tool better and more safely.

Symbol	Designation/Explanation
	This symbol designates that this tool is listed by Underwriters Laboratories.
	This symbol designates that this tool is recognized by Underwriters Laboratories.
	This symbol designates that this tool is listed by Underwriters Laboratories, to United States and Canadian Standards.
	This symbol designates that this tool is listed by the Canadian Standards Association.
	This symbol designates that this tool is listed by the Canadian Standards Association, to United States and Canadian Standards.
	This symbol designates that this tool is listed by the Intertek Testing Services, to United States and Canadian Standards.
	This symbol designates that this tool complies to NOM Mexican Standards.

GET TO KNOW YOUR JIGSAW

Fig. 1



SPECIFICATIONS

General	
Model No.	JS313101
Power Input	120V~,60Hz,5A
No-Load Speed (n_0)	0-3000/min
Stroke Length	3/4"(18mm)
Cutting Angle	0°; 45°
Sawing capacity in wood	3 in. (75mm)
Sawing capacity in aluminum	1/2 in. (12mm)
Sawing capacity in metal	15/64 in. (6mm)

OPERATING INSTRUCTIONS

Tool-Free Blade Installation

⚠ WARNING To prevent personal injury, always disconnect the plug from the power source before assembling parts, making adjustment, or changing blades.

1. Lift the tool-free blade change cover up and insert the blade (teeth facing the cutting direction) into the slot of the tool-free blade change holder (Fig. 2).
2. Release the tool-free blade change cover to lock the blade in place.
3. Pull down on the blade to verify that the blade is securely locked in place.

NOTICE: When inserting the saw blade, the back of the blade must rest in the groove of the guide roller (Fig. 3).

NOTICE: The tool accepts most commonly available T-shank and U-shank blades.

4. To remove the blade, lift the tool-less blade change cover up and carefully remove the blade.

Fig. 2

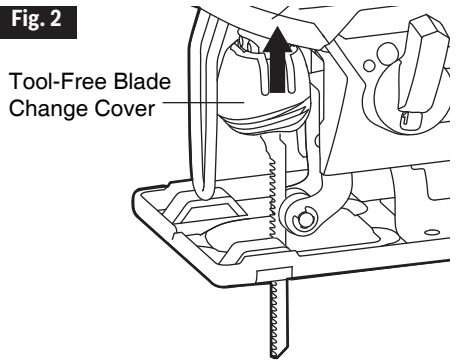
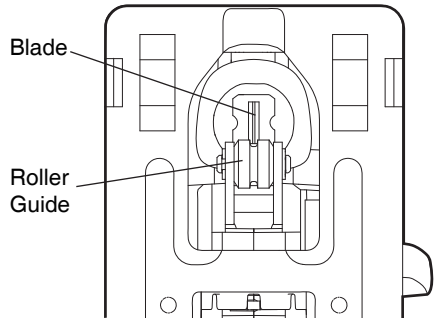


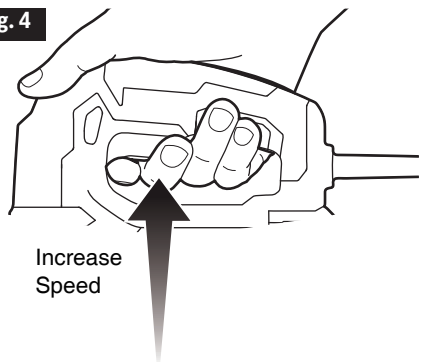
Fig. 3



Variable-speed Trigger Switch

Your tool is equipped with a variable-speed trigger switch. The tool can be turned "ON" or "OFF" by squeezing or releasing the trigger. The speed can be adjusted from the minimum to maximum nameplate SPM by the pressure you apply to the trigger. Apply more pressure to increase the speed and release pressure to decrease speed (Fig. 4).

Fig. 4



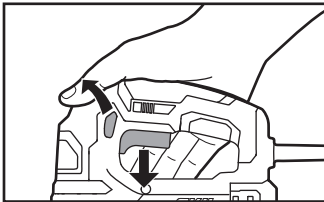
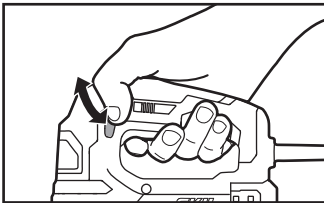
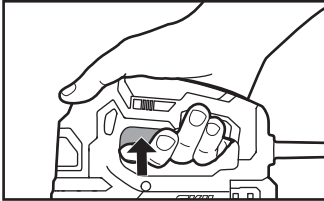
“Lock-on” Button

The “Lock-on” button, located in the handle of your tool, allows for continuous operation at maximum SPM without depressing the trigger.

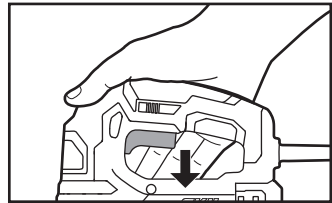
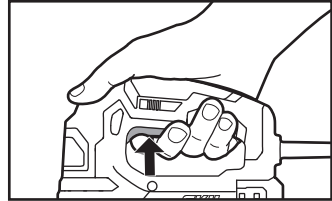
If you press the “Lock-on” button while the trigger switch is depressed, the switch will be locked in the operating position. To release the “Lock-on” button, press and release the trigger switch (Fig. 5).

Fig. 5

Trigger switch “lock-on”



“Lock-on” release



Orbital Action

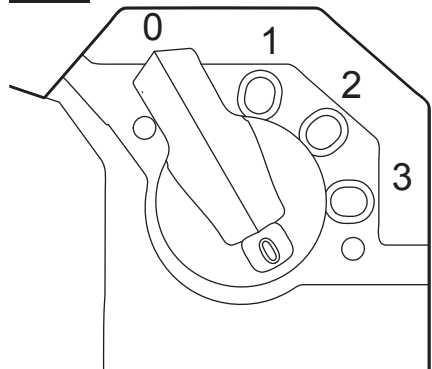
This saw is equipped with an orbital control that allows you to choose the best cutting action for your material.

Simply turn the lever to the desired position for the type of cut you are making.

Turn the lever to a higher setting to increase the orbital action. Turn the lever to a lower setting to decrease the orbital action.

There are four orbital-action cutting settings that may be chosen, according to different types of material (Fig.6).

Fig. 6



Setting 0: accurate cutting in all materials (straight and curved cuts).

Setting 1: fast cutting in metal (straight cuts only).

Setting 2: fast cutting in plastic (straight cuts only).

Setting 3: fast cutting in hard wood (straight cuts only).

NOTICE: Always make test cuts in scrap material first to determine the best setting.

NOTICE: Always select "0" when sawing splinter-sensitive material.

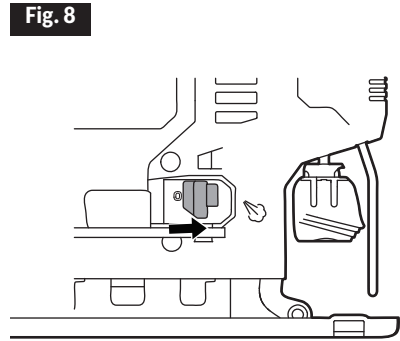
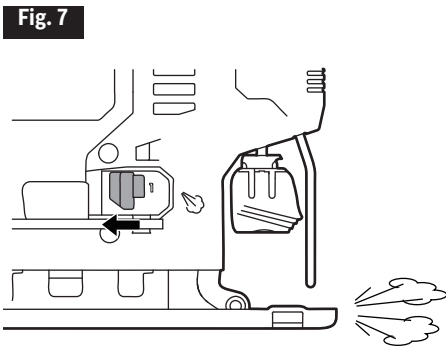
NOTICE: In order to reach full orbital action. The blade must be facing straight forward, the back of the blade must be resting in the groove of the roller, and the foot must be positioned all the way forward. Orbital action is not detectable when the saw is running freely. The saw must be cutting in order for orbital action to occur. The cutting speed is easier to see when cutting thicker material.

⚠ WARNING To reduce the risk of injury, always allow the jig saw to come to a complete stop before changing the orbital function setting.

Dust-Blowing Slide Switch

To blow sawdust, move the switch to the blowing setting 0 (Fig.7).

To turn off the blowing function, move the switch to setting 1 (Fig.8).



⚠ WARNING To reduce the risk of injury, always allow the jig saw to come to a complete stop before changing the dust blowing setting.

Adjusting the Foot Bevel Angle

To adjust the cutting angle, turn the tool upside down; loosen the hex screw that secures the foot by the hexagon wrench. (Fig.9)

Move the foot slightly forward and tilt it to the required angle (0° or 45°) using the scale (0° or 45°) that is marked on the base bracket. The foot has indents at 0° and 45° (tilt left or right) for easy angle setting (Fig.10 & Fig.11).

Fig. 9

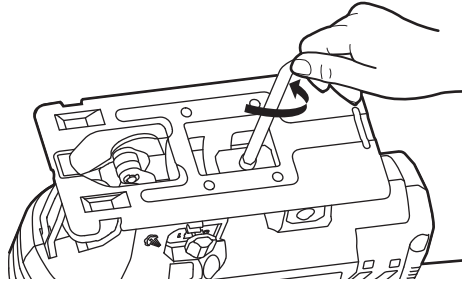


Fig. 10

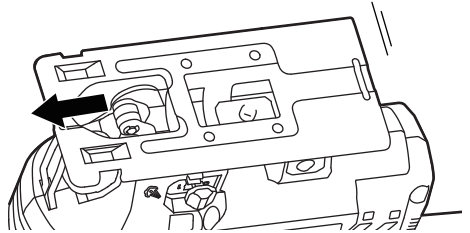
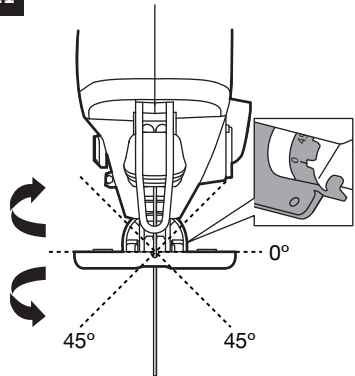


Fig. 11



Move the foot slightly backward until the lock pins locate in the indent at 0° or 45° (Fig. 12 & Fig. 13).

Make sure that the lock pins are situated in the indents at the angle you select. Retighten the hex screw.

Fig. 12

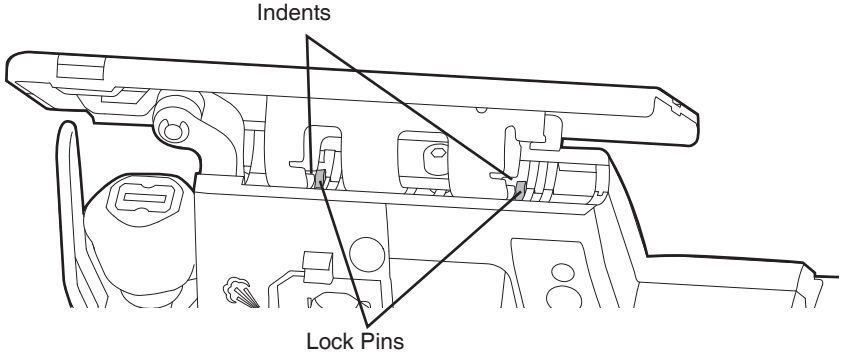
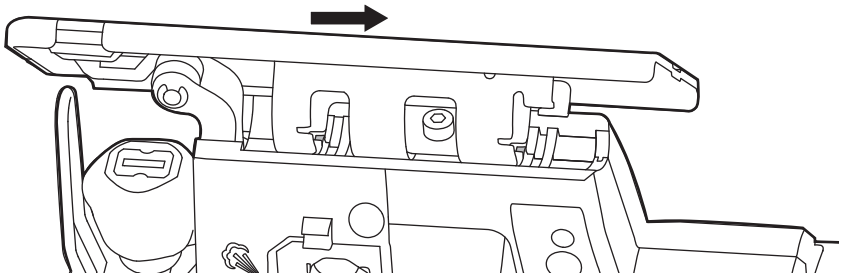


Fig. 13



Cutting Tips

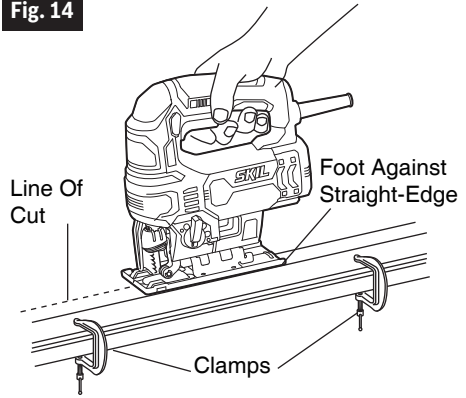
Face the good side of the material down and secure it in a bench vise or clamp it down. Draw cutting lines or designs on the side of the material facing up towards you. Then place the front edge of the saw foot on the work and align the blade with the line to be cut. Hold the jigsaw firmly, turn it on, and press down (to keep the saw foot flat against the work) as you slowly push the saw in the direction of the cut.

Gradually increase the cutting rate, cutting close to the line (unless you want to leave stock for finish sanding). As you cut, you may need to adjust or relocate the vise or clamps to keep the work stable. Do not force the saw, or the blade teeth may rub and wear without cutting, and the blade may break. Let the saw do most of the work. When following curves, cut slowly so the blade can cut through cross grain. This will give you an accurate cut and will prevent the blade from wandering.

Cutting with a Straightedge, use a rough-cut blade whenever possible. Clamp a straight-edge on the work, parallel to the line of cut and flush with the side of the saw foot. (Either first mark the line of cut and then position the straightedge parallel and at the same distance as between the blade and the side edge of the foot, or first mark the side edge of the foot and then clamp the straightedge on the mark and parallel to the cut line (Fig. 14).

As you cut, keep the saw foot edge flush against the straightedge and flat on the workpiece (Fig. 14).

Fig. 14



Metal Cutting

When cutting metal, clamp the material securely. Be sure to move the saw along slowly. Use lower speeds. Do not twist, bend, or force the blade. If the saw jumps or bounces, use a blade with finer teeth. If the blade seems clogged when cutting soft metal, use a blade with coarser teeth.

- For easier cutting, lubricate the blade with a stick of cutting wax, if available, or cutting oil when cutting steel.
- Thin metal should be sandwiched between two pieces of wood or tightly clamped to a single piece of wood (wood on top of the metal). Draw the cut lines or design on the top piece of wood.
- When cutting aluminum extrusion or angle iron, clamp the work in a bench vise and saw close to the vise jaws.
- When sawing tubing and the diameter is larger than the blade is deep, cut through the wall of the tubing and then insert the blade into the cut rotating the tube as you saw.

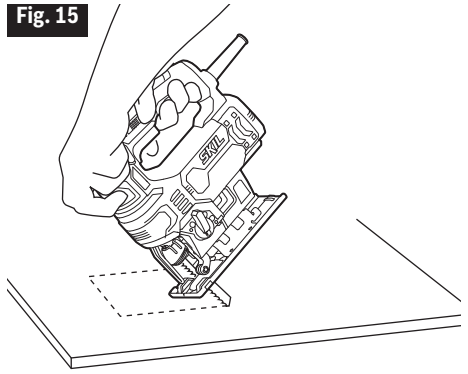
Plunge Cutting (Fig. 15)

Plunge cutting is useful and time-saving when making rough openings in softer materials: it's not necessary to drill a hole for an inside or pocket cut. Do not try to plunge cut into hard materials, such as steel.

1. Draw lines for the opening,
2. Hold the saw firmly and tilt it forward so that the toe of the saw foot rests on the work, but with the blade well clear of the work.
3. Start the motor, and then very gradually lower the blade.
4. When the blade touches, continue pressing down on the toe of the saw foot while slowly pivoting the saw like a hinge until the blade cuts through and the foot rests flat on the work.
5. Then saw ahead on the line of cut line.

NOTICE: We do not recommend plunge cutting with a scroll blade.

To make sharp corners, cut up to the corner, then back up slightly before rounding the corner. After the opening is complete, go back to each corner and cut it from the opposite direction to square it off.



MAINTENANCE

Service

⚠ WARNING Preventive maintenance performed by unauthorized personnel may result in misplacing of internal wires and components which could cause serious hazard. We recommend that all tool service be performed by a SKIL Factory Service Center or Authorized SKIL Service Station.

Tool Lubrication

Your SKIL tool has been properly lubricated and is ready to use. It is recommended that tools with gears be re-greased with a special gear lubricant at every brush change.

Carbon Brushes

The brushes and commutator in your tool have been engineered for many hours of dependable service. To maintain peak efficiency of the motor, we recommend every two to six months the brushes be examined. Only genuine SKIL replacement brushes specially designed for your tool should be used.

Cleaning

⚠ WARNING To avoid accidents always disconnect the tool from the power supply before cleaning or performing any maintenance. The tool may be cleaned most effectively with compressed dry air. Always wear safety goggles when cleaning tools with compressed air.

Ventilation openings and switch levers must be kept clean and free of foreign matter. Do not attempt to clean by inserting pointed objects through openings.

⚠ CAUTION Certain cleaning agents and solvents damage plastic parts. Some of these are: gasoline, carbon tetrachloride, chlorinated cleaning solvents, ammonia and household detergents that contain ammonia.

Storage

Store the tool indoors in a place that is inaccessible to children. Keep away from corrosive agents.

EXTENSION CORDS



If an extension cord is necessary, a cord with adequate size conductors that is capable of carrying the current necessary for your tool must be used. This will prevent excessive voltage drop, loss of power or overheating. Grounded tools must use 3-wire extension cords that have 3-prong plugs and receptacles.

NOTE: The smaller the gauge number, the heavier the cord.

RECOMMENDED SIZES OF EXTENSION CORDS 120 VOLT ALTERNATING CURRENT TOOLS

Tool's Ampere Rating	Cord Size in A.W.G	Wire sizes in mm ²						
	Cord length in feet 25 50 100 150				Cord length in meters 15 30 60 120			
3-6	18	16	16	14	0.75	0.75	1.5	2.5
6-8	18	16	14	12	0.75	1.0	2.5	4.0
8-10	18	16	14	12	0.75	1.0	2.5	4.0
10-12	16	16	14	12	1.0	2.5	4.0	-
12-16	14	12	-	-	-	-	-	-

TROUBLE SHOOTING

Problem	Cause	Remedy
Tool will not start	<ol style="list-style-type: none"> 1. Power cord is not plugged in. 2. Power source fuse or circuit breaker is tripped. 3. Cord is damaged. 4. Burned out switch. 	<ol style="list-style-type: none"> 1. Plug the tool into power source. 2. Replace the fuse or reset the tripped circuit breaker. (If the product repeatedly causes the circuit or fuse to trip/blow, discontinue use immediately and have it serviced by an Authorized SKIL Service Center or Service Station.) 3. Inspect the cord for damage. If damaged, have the cord replaced by an Authorized SKIL Service Center or Service Station. 4. Have the switch replaced by an Authorized SKIL Service Center or Service Station.
Tool does not come up to speed	<ol style="list-style-type: none"> 1. Extension cord has insufficient gauge or is too long. 2. Low house voltage. 	<ol style="list-style-type: none"> 1. Replace with adequate extension cord (Refer to the part of "EXTENSION CORDS"). 2. Contact your electric company.
Excessive vibration	<ol style="list-style-type: none"> 1. Blade is bent. 2. Blade not secure in blade holder. 	<ol style="list-style-type: none"> 1. Discard blade and use different blade. 2. See OPERATING INSTRUCTIONS section, "Tool-free Blade Installation".

LIMITED WARRANTY OF SKIL CONSUMER PORTABLE, BENCHTOP AND HD AND SHD HEAVY DUTY POWER TOOLS

Chervon North America ("Seller") warrants to the original purchaser only, that all SKIL consumer portable, benchtop and HD and SHD Heavy Duty power tools will be free from defects in material or workmanship for a period of one year from date of purchase. SKIL Benchtop and consumer portable power tool models will be free from defects in material or workmanship for a period of ninety days if the tool is used for professional use.

SELLER'S SOLE OBLIGATION AND YOUR EXCLUSIVE REMEDY under this Limited Warranty and, to the extent permitted by law, any warranty or condition implied by law, shall be the repair or replacement of parts, without charge, which are defective in material or workmanship and which have not been misused, carelessly handled, or misrepaired by persons other than Seller or Authorized Service Station. To make a claim under this Limited Warranty, you must return the complete product, transportation prepaid, to any SKIL Factory Service Center or Authorized Service Station. For Authorized SKIL Power Tool Service Stations, please visit www.Registermyskil.com or call 1-877-SKIL-999 (1-877-754-5999).

THIS LIMITED WARRANTY DOES NOT APPLY TO ACCESSORY ITEMS SUCH AS CIRCULAR SAW BLADES, DRILL BITS, ROUTER BITS, JIGSAW BLADES, SANDING BELTS, GRINDING WHEELS AND OTHER RELATED ITEMS.

ANY IMPLIED WARRANTIES SHALL BE LIMITED IN DURATION TO ONE YEAR FROM DATE OF PURCHASE. SOME STATES IN THE U.S., SOME CANADIAN PROVINCES DO NOT ALLOW LIMITATIONS ON HOW LONG AN IMPLIED WARRANTY LASTS, SO THE ABOVE LIMITATION MAY NOT APPLY TO YOU.

IN NO EVENT SHALL SELLER BE LIABLE FOR ANY INCIDENTAL OR CONSEQUENTIAL DAMAGES (INCLUDING BUT NOT LIMITED TO LIABILITY FOR LOSS OF PROFITS) ARISING FROM THE SALE OR USE OF THIS PRODUCT. SOME STATES IN THE U.S. AND SOME CANADIAN PROVINCES DO NOT ALLOW THE EXCLUSION OR LIMITATION OF INCIDENTAL OR CONSEQUENTIAL DAMAGES, SO THE ABOVE LIMITATION OR EXCLUSION MAY NOT APPLY TO YOU.

THIS LIMITED WARRANTY GIVES YOU SPECIFIC LEGAL RIGHTS, AND YOU MAY ALSO HAVE OTHER RIGHTS WHICH VARY FROM STATE TO STATE IN THE U.S., PROVINCE TO PROVINCE IN CANADA AND FROM COUNTRY TO COUNTRY.

THIS LIMITED WARRANTY APPLIES ONLY TO PRODUCTS SOLD WITHIN THE UNITED STATES OF AMERICA, CANADA AND THE COMMONWEALTH OF PUERTO RICO. FOR WARRANTY COVERAGE WITHIN OTHER COUNTRIES, CONTACT YOUR LOCAL SKIL DEALER OR IMPORTER.

© Chervon North America, 1203 E. Warrenville Rd, Naperville, IL 60563.
04/19

TABLE DES MATIÈRES

Avertissements de sécurité généraux relatifs aux outils électriques .	24-26
Avertissements de sécurité relatifs aux scies sauteuses	26
Avertissements de sécurité supplémentaires	26-27
Symboles	28-31
Apprenez à connaître votre scie sauteuse	32
Caractéristiques techniques	33
Mode d'emploi	34-40
Entretien	41
Rallonges	42
Dépannage	43
Garantie limitée des outils électriques grand public SKIL portatifs, de table et pour usage industriel hd et shd	44

⚠ AVERTISSEMENT

- La poussière créée pendant le ponçage, le sciage, le polissage, le perçage et d'autres activités liées à la construction peut contenir des produits chimiques reconnus par l'État de la Californie comme étant la cause de cancers, d'anomalies congénitales et d'autres problèmes liés aux fonctions reproductrices. Voici des exemples de ces produits chimiques :
 - Plomb provenant de peintures à base de plomb.
 - Silice cristallisée contenue dans les briques, le ciment et d'autres produits de maçonnerie.
 - Arsenic et chrome contenus dans le bois d'œuvre traité avec des produits chimiques.
- Les risques liés à l'exposition à ces produits varient selon le nombre de fois où vous pratiquez ces activités. Pour réduire votre exposition à ces produits chimiques :
 - travaillez dans un endroit bien ventilé;
 - munissez-vous de l'équipement de sécurité approuvé tel que des masques antipoussières conçus spécialement pour filtrer les particules microscopiques;
 - évitez l'exposition prolongée à la poussière causée par le ponçage mécanique, le sciage, le polissage, le perçage et d'autres activités liées à la construction. Portez un équipement de protection et lavez à l'eau et au savon toutes les parties exposées. Les poussières pénétrant dans votre bouche ou dans vos yeux et les poussières se déposant sur votre peau peuvent causer l'absorption de produits chimiques dangereux.

AVERTISSEMENTS DE SÉCURITÉ GÉNÉRAUX RELATIFS AUX OUTILS ÉLECTRIQUES

⚠ AVERTISSEMENT Lisez tous les avertissements et toutes les instructions, illustrations et spécifications fournis avec cet outil électrique. Le non-respect des consignes de sécurité ci-dessous peut occasionner un choc électrique, un incendie ou des blessures graves.

CONSERVEZ TOUS LES AVERTISSEMENTS ET TOUTES LES INSTRUCTIONS AFIN DE POUVOIR LES CONSULTER ULTÉRIEUREMENT.

L'expression « outil électrique » utilisée dans les avertissements correspond aux outils électriques alimentés sur secteur (à fil) ou alimentés par piles (sans fil).

Mesures de sécurité dans l'aire de travail

Maintenez l'aire de travail propre et bien éclairée. Les aires de travail sombres et encombrées sont propices aux accidents.

N'utilisez pas d'outils électriques dans un endroit présentant un risque d'explosion, par exemple en présence de liquides, de gaz ou de poussières inflammables. Les outils électriques produisent des étincelles pouvant causer un incendie en raison de la poussière et des fumées.

Gardez les enfants et les autres personnes à l'écart lorsque vous utilisez un outil électrique. Une distraction peut vous faire perdre la maîtrise de l'outil.

Consignes de sécurité relatives à l'électricité

Les fiches des outils électriques doivent correspondre à la prise. Ne modifiez jamais la fiche de quelque façon que ce soit. N'utilisez pas d'adaptateur avec les outils électriques mis à la terre. L'utilisation de fiches non modifiées dans les prises compatibles réduit les risques de choc électrique.

Évitez de toucher à des surfaces mises à la terre, par exemple, un tuyau, un radiateur, une cuisinière ou un réfrigérateur. Le contact du corps avec une surface mise à la terre augmente les risques de choc électrique.

N'exposez pas les outils électriques à la pluie ni à tout environnement humide. L'infiltration d'eau dans un outil électrique augmente les risques de choc électrique.

N'utilisez pas le cordon d'alimentation de façon à l'endommager. Ne transportez jamais un outil électrique en le tenant par son cordon, et ne tirez jamais sur le cordon pour le débrancher. Tenez le cordon d'alimentation éloigné des sources de chaleur, de l'huile, des objets coupants et des pièces mobiles. Les risques de choc électrique sont plus élevés si le cordon d'alimentation est endommagé ou emmêlé.

Lorsque vous utilisez un outil électrique à l'extérieur, utilisez une rallonge conçue pour être utilisée à l'extérieur. Ce type de rallonge réduit les risques de choc électrique.

Si vous n'avez d'autre choix que d'utiliser un outil électrique dans un endroit humide, utilisez une alimentation protégée par un disjoncteur différentiel. L'utilisation d'un disjoncteur différentiel réduit les risques de choc électrique.

Sécurité personnelle

Soyez vigilant, prêtez attention à ce que vous faites et usez de votre jugement lorsque vous utilisez un outil électrique. N'utilisez pas un outil électrique lorsque vous êtes fatigué ou sous l'effet de drogues, d'alcool ou de médicaments. Un moment d'inattention lorsque vous utilisez des outils électriques peut occasionner des blessures graves.

Utilisez un équipement individuel de protection. Portez toujours des lunettes de sécurité. Le port d'équipement de protection, comme un masque antipoussières, des chaussures de sécurité antidérapantes, un casque de protection et des protecteurs auditifs, lorsque les conditions l'exigent, réduit les risques de blessures.

Prenez des mesures afin d'éviter que l'outil se mette en marche accidentellement. Assurez-vous que l'interrupteur est à la position d'arrêt avant de brancher l'outil sur une source d'alimentation ou un bloc-piles, de ramasser l'outil ou de le transporter. Transporter les outils électriques avec le doigt sur la gâchette ou brancher les outils lorsque l'interrupteur est à la position de marche augmente les risques d'accident.

Retirez toutes les clés de réglage de l'outil électrique avant de mettre celui-ci en marche. Une clé de réglage oubliée sur une pièce rotative de l'outil électrique peut occasionner des blessures graves.

Ne vous étirez pas pour étendre votre portée. Gardez une posture sécuritaire et un bon équilibre en tout temps. Cela vous permet de mieux maîtriser l'outil électrique lorsque des situations inattendues se présentent.

Habillez-vous convenablement. Ne portez pas de vêtements amples ni de bijoux. Gardez vos cheveux, vos vêtements et vos gants loin des pièces mobiles. Les vêtements amples, les bijoux et les cheveux longs risquent de se prendre dans les pièces en mouvement.

Si un dispositif permet de raccorder un dépoussiéreur, assurez-vous que celui-ci est branché et utilisé correctement. L'emploi d'un dépoussiéreur contribue à réduire les dangers liés à la poussière.

Restez toujours sur vos gardes et suivez les principes de sécurité des outils, même s'il s'agit d'un outil que vous utilisez fréquemment. Il suffit d'être négligent une fraction de seconde pour se blesser gravement.

Utilisation et entretien d'un outil électrique

Ne forcez pas l'outil électrique. Utilisez l'outil électrique approprié à la tâche que vous souhaitez accomplir. L'utilisation de l'outil électrique approprié permet d'obtenir de meilleurs résultats, de façon plus sécuritaire, selon le régime de fonctionnement prévu.

N'utilisez pas l'outil électrique si l'interrupteur ne fonctionne pas. Tout outil électrique qui ne peut être commandé au moyen de l'interrupteur est dangereux et doit être réparé.

Débranchez la fiche de la prise ou retirez, si possible, le bloc-piles de l'outil électrique avant d'effectuer des réglages, de changer d'accessoire ou de le ranger. Ces mesures de sécurité préventives réduisent les risques de mise en marche accidentelle de l'outil électrique.

Rangez vos outils électriques inutilisés hors de la portée des enfants et ne laissez pas les personnes ne connaissant pas bien l'outil ou ces instructions utiliser l'outil. Les outils électriques sont dangereux s'ils se retrouvent entre les mains d'utilisateurs qui ne savent pas s'en servir.

Entretenez vos outils électriques et vos accessoires. Vérifiez les pièces mobiles pour vous assurer qu'elles ne sont pas désalignées, enrayées, brisées, ou dans un état qui pourrait nuire à leur fonctionnement. Si l'outil électrique est endommagé, faites-le réparer avant de l'utiliser. De nombreux accidents sont provoqués par des outils électriques mal entretenus.

Gardez vos outils tranchants affûtés et propres. Des outils tranchants bien entretenus dont les lames sont affûtées risquent moins de se bloquer et sont plus faciles à maîtriser.

Utilisez l'outil électrique, les accessoires, les embouts et les autres éléments conformément aux présentes instructions, en tenant compte des conditions de travail et du travail à effectuer. L'utilisation de l'outil électrique à des fins autres que celles pour lesquelles il a été conçu pourrait créer une situation dangereuse.

Gardez les poignées et les prises sèches, propres et exemptes d'huile et de graisse. Les poignées et autres surfaces de préhension glissantes ne permettent pas de manipuler ni de contrôler l'outil de façon sécuritaire en cas de situations inattendues.

Entretien

Demandez à un technicien qualifié qui utilise seulement des pièces de rechange identiques aux pièces d'origine d'effectuer l'entretien de votre outil électrique. Vous vous assurerez ainsi de respecter les consignes de sécurité de l'outil électrique.

AVERTISSEMENTS DE SÉCURITÉ RELATIFS AUX SCIES SAUTEUSES

Tenez l'outil électrique par sa poignée isolée lorsque l'accessoire tranchant est susceptible d'entrer en contact avec des fils dissimulés. Si un accessoire tranchant entre en contact avec un fil sous tension, les parties métalliques exposées de l'outil électrique peuvent donner un choc électrique à l'utilisateur.

Utilisez des pinces ou tout autre moyen pratique pour supporter et fixer la pièce travaillée sur une plateforme stable. Tenir la pièce à la main ou contre le corps crée une situation précaire et pourrait causer une perte de maîtrise.

AVERTISSEMENTS DE SÉCURITÉ SUPPLÉMENTAIRES

Fixez bien le matériau avant d'effectuer une coupe. Ne tenez jamais la pièce dans vos mains ou entre vos jambes. Les pièces de petite taille ou trop minces peuvent fléchir ou vibrer sous l'effet de la lame et causer une perte de maîtrise.

Ne percez pas, ni ne clouez, ni ne trouez un mur existant ni tout autre endroit pouvant dissimuler à votre insu du câblage électrique. Si la situation l'exige, débranchez tous les fusibles et les disjoncteurs alimentant le lieu où vous travaillez.

Ne laissez jamais l'interrupteur verrouillé en position de marche. Avant de brancher l'outil, assurez-vous que l'interrupteur est à la position d'arrêt. La mise en marche accidentelle pourrait causer des blessures.

Soyez conscient de l'emplacement et du réglage du bouton de verrouillage. Si l'interrupteur est verrouillé en position de marche pendant l'utilisation, soyez prêt à désactiver le bouton de verrouillage en cas d'urgence en appuyant sur l'interrupteur et en le relâchant immédiatement sans appuyer sur le bouton de verrouillage.

Gardez vos mains éloignées de la zone de coupe. Ne passez pas la main sous la pièce travaillée. Vous ne pouvez pas voir la distance entre la lame et votre main.

N'utilisez pas de lames émoussées ou endommagées. Des lames tordues peuvent se casser facilement ou causer un rebond.

Avant de commencer à couper, mettez l'outil en marche et laissez la lame atteindre sa vitesse maximale. L'outil peut trembler ou vibrer si la vitesse de la lame est trop lente au début de la coupe et peut même causer un rebond.

Portez toujours des lunettes de sécurité lorsque vous utilisez cet outil. Portez un masque antipoussières ou un appareil respiratoire lorsque vous effectuez des travaux qui génèrent de la poussière.

Assurez-vous que toutes les vis de réglage et le support de lame sont serrés avant d'effectuer une coupe. Si les vis de réglage ou les supports sont lâches, l'outil ou la lame pourraient glisser et causer une perte de maîtrise.

Évitez tout contact avec la peau et portez des gants protecteurs appropriés lorsque vous retirez la lame ou l'accessoire de l'outil. Les accessoires peuvent devenir chauds après une utilisation prolongée.

Les disjoncteurs différentiels et les équipements de protection individuelle tels que les gants en caoutchouc et les chaussures d'électricien offrent un degré de protection supplémentaire.

N'utilisez pas un outil portant la mention « AC only » (c.a. uniquement) avec une alimentation électrique de courant continu. Même si l'outil semble fonctionner normalement, il est probable que les composants électriques conçus pour une utilisation sous un courant alternatif subissent une défaillance, ce qui serait une source de danger pour l'utilisateur.

Maintenez les poignées sèches, propres et exemptes d'huile ou de graisse. Il est impossible de maîtriser un outil électrique dont les prises sont glissantes.

Établissez un calendrier d'entretien périodique pour vos outils. Lorsque vous nettoyez un outil, prenez soin de n'en démonter aucune partie, car vous pourriez déplacer ou pincer des fils internes ou encore remonter incorrectement les ressorts du dispositif de sécurité. Certains agents nettoyant tels que l'essence, le tétrachlorure de carbone, l'ammoniaque et d'autres agents peuvent endommager les pièces en plastique.





Risque de blessures pour l'utilisateur. L'entretien du cordon d'alimentation doit être effectué dans un centre de service de l'usine de SKIL ou un centre de service autorisé par SKIL.

SYMBOLES

Symboles de sécurité

L'objectif des symboles de sécurité est d'attirer votre attention sur les dangers potentiels. Vous devez examiner attentivement et bien comprendre les symboles de sécurité et les explications qui les accompagnent. Les symboles d'avertissement en tant que tels n'éliminent pas le danger. Les consignes et les avertissements qui y sont associés ne remplacent en aucun cas des mesures préventives adéquates.

⚠ AVERTISSEMENT Assurez-vous de lire et de comprendre toutes les consignes de sécurité présentées dans le présent guide d'utilisation, notamment tous les symboles d'alerte de sécurité indiqués par « **DANGER** », « **AVERTISSEMENT** » et « **MISE EN GARDE** », avant d'utiliser cet outil. Le non-respect des consignes qui suivent peut entraîner un choc électrique, un incendie ou des blessures graves.

Les définitions ci-dessous décrivent le degré de gravité pour chaque mot-indicateur. Veuillez lire ce guide et prêter attention à ces symboles.	
	Voici le pictogramme d'alerte de sécurité. Il sert à vous indiquer les risques potentiels de blessures. Respectez toutes les consignes de sécurité associées à ce pictogramme pour éviter les risques de blessures ou de mort.
	DANGER indique un danger imminent qui, s'il n'est pas évité, causera des blessures graves ou la mort.
	AVERTISSEMENT indique un risque pouvant entraîner des blessures graves ou la mort s'il n'est pas prévenu.
	ATTENTION, utilisée avec le symbole d'alerte de sécurité, indique un risque potentiel qui, s'il n'est pas éliminé, provoquera des blessures mineures ou moyennement graves.

Messages d'information et de prévention des dommages

Ces messages fournissent à l'utilisateur de l'information et des consignes importantes. Les ignorer pourrait occasionner des dommages à l'équipement ou d'autres dommages matériels. Le mot « AVERTISSEMENT » précède chaque message, comme dans l'exemple ci-dessous :









AVIS : Ne pas suivre ces consignes pourrait occasionner des dommages à l'équipement ou d'autres dommages matériels.






⚠ AVERTISSEMENT L'utilisation de tout outil électrique peut entraîner la projection de corps étrangers dans les yeux et ainsi causer des lésions oculaires graves. Avant d'utiliser un outil électrique, veillez à toujours porter des lunettes de sécurité couvrantes ou à écrans latéraux, ou un masque complet au besoin. Nous recommandons le port d'un masque de sécurité panoramique par-dessus les lunettes ou de lunettes de sécurité standard avec écrans latéraux. Portez toujours des protecteurs oculaires conformes à la norme ANSI Z87.1.

SYMBOLES (SUITE)








IMPORTANT : Les symboles suivants peuvent figurer sur votre outil. Familiarisez-vous avec eux et apprenez leur signification. En comprenant ces symboles, vous serez en mesure de faire fonctionner cet outil de façon adéquate et sécuritaire.

Symbole	Nom	Forme au long et explication
V	Volts	Tension (possible)
A	Ampère	Courant
Hz	Hertz	Fréquence (cycles par seconde)
W	Watt	Puissance
kg	Kilogrammes	Poids
min	Minutes	Durée
s	Secondes	Durée
∅	Diamètre	Taille des forets, des meules, etc.
n_0	Vitesse à vide	Vitesse de rotation à vide
n	Vitesse nominale	Vitesse maximale atteignable
.../min	Tours ou va-et-vient par minute	Tours, coups, vitesse périphérique, orbites, etc., par minute
0	Position d'arrêt	Vitesse nulle, couple nul...
1,2,3,... I,II,III,	Réglages du sélecteur	Réglages de vitesse, de couple ou de position. Plus le nombre est élevé, plus la vitesse est grande.
	Sélecteur à réglable continu avec mode d'arrêt	La vitesse augmente à partir du réglage 0
	Flèche	L'activation se fait dans le sens de la flèche
	Courant alternatif	Type de courant ou caractéristique de courant
	Courant continu	Type de courant ou caractéristique de courant
	Courant alternatif ou continu	Type de courant ou caractéristique de courant
	Outil de catégorie II	Désigne les outils de construction à double isolation
	Borne de mise à la terre	Borne de mise à la terre
	Sceau du programme de recyclage des piles au lithium-ion	Désigne le programme de recyclage des piles au lithium-ion

Symbole	Nom	Forme au long et explication
	<p>Sceau du programme de recyclage des piles au nickel-cadmium</p>	<p>Désigne le programme de recyclage des piles au nickel-cadmium</p>
	<p>Symbole de lecture du manuel</p>	<p>Invite l'utilisateur à lire le manuel</p>
	<p>Symbole du port de lunettes de sécurité</p>	<p>Invite l'utilisateur à porter des lunettes de protection</p>

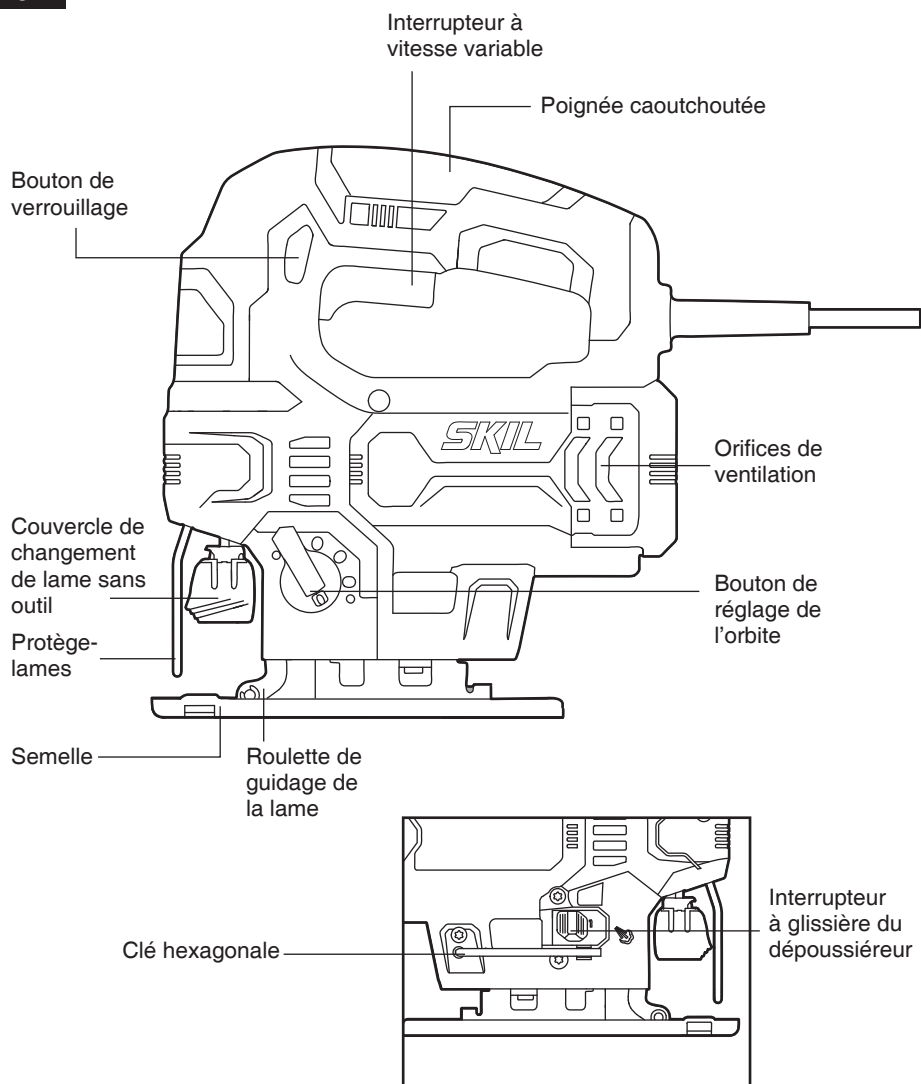
SYMBOLES (RENSEIGNEMENTS EN MATIÈRE D'HOMOLOGATION)

IMPORTANT : Les symboles suivants peuvent figurer sur votre outil. Familiarisez-vous avec eux et apprenez leur signification. En comprenant ces symboles, vous serez en mesure de faire fonctionner cet outil de façon adéquate et sécuritaire.

Symbole	Forme au long et explication
	Ce symbole indique que cet outil est répertorié par Underwriters Laboratories.
	Ce symbole indique que cet outil est reconnu par Underwriters Laboratories.
	Ce symbole indique que cet outil est répertorié par Underwriters Laboratories, selon les normes américaines et canadiennes.
	Ce symbole indique que cet outil est répertorié par l'Association canadienne de normalisation.
	Ce symbole indique que cet outil est répertorié par l'Association canadienne de normalisation et qu'il est conforme aux normes américaines et canadiennes.
 Intertek	Ce symbole indique que cet outil est répertorié par Intertek Testing et qu'il est conforme aux normes américaines et canadiennes.
	Ce symbole indique que cet outil est conforme aux normes mexicaines officielles (NOM).

APPRENEZ À CONNAÎTRE VOTRE SCIE SAUTEUSE

Fig. 1



CARACTÉRISTIQUES TECHNIQUES

Général	
N° de modèle	JS313101
Consommation	120V~,60Hz,5A
Vitesse à vide (n0)	0-3000/min
Course	18 mm (3/4po)
Angle de coupe	0°; 45°
Capacité de sciage dans le bois	75 mm (3 po)
Capacité de sciage dans l'aluminium	12 mm (1/2 po)
Capacité de sciage dans le métal	6 mm (15/64 po)

MODE D'EMPLOI

Installation de la lame sans outil

⚠ AVERTISSEMENT Afin de prévenir les blessures, débranchez toujours l'outil avant d'effectuer tout assemblage, réglage ou changement de lame.t

1. Soulevez le couvercle de changement de lame sans outil et insérez la lame (les dents orientées dans le sens de la coupe) dans la fente du support de lame à changement sans outil (Fig. 2).
2. Refermez le couvercle de changement de lame sans outil pour fixer la lame en place.
3. Tirez sur la lame pour vérifier qu'elle est bien fixée.

AVIS : Lorsque vous insérez la lame de scie, l'arrière de la lame doit reposer dans la rainure de la roulette de guidage (Fig. 3).

AVIS : L'outil est compatible avec la plupart des lames courantes à pied en T ou en U.

4. Pour retirer la lame, soulevez le couvercle de changement de lame sans outil et retirez la lame avec précaution.

Fig. 2

Couvercle de changement de lame sans outil

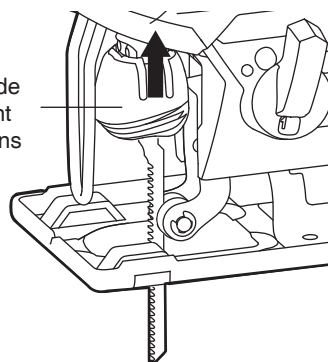
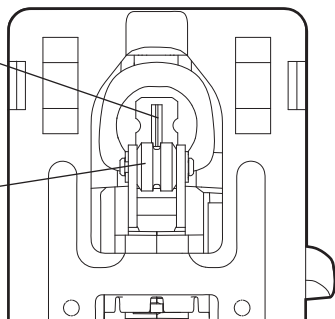


Fig. 3

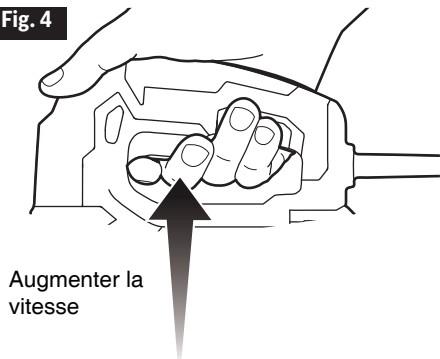
Pale
Roulette de guidage



Interrupteur à vitesse variable

L'outil est muni d'un interrupteur à vitesse variable. L'outil peut être allumé ou éteint en appuyant sur la gâchette ou en la relâchant. La vitesse peut être réglée de la vitesse minimale à la vitesse maximale indiquée sur la plaque signalétique (en tr/min) en fonction de la pression exercée sur l'interrupteur. Si vous augmentez la pression, la vitesse augmente, et si vous la réduisez, la vitesse diminue (Fig. 4).

Fig. 4



Augmenter la vitesse

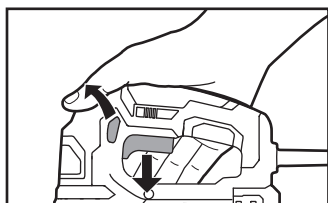
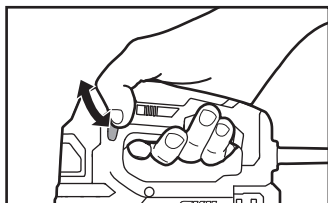
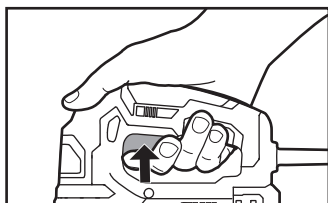
Bouton de verrouillage

Le bouton de verrouillage, situé sous la poignée de l'outil, permet de faire fonctionner l'outil à la vitesse maximale sans avoir à appuyer sur l'interrupteur.

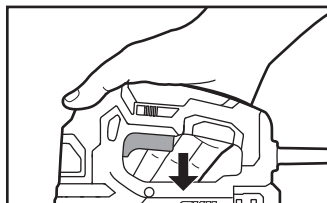
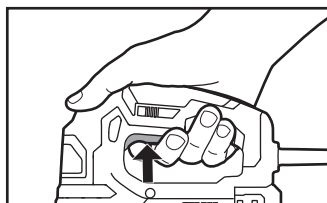
Si vous appuyez sur le bouton de verrouillage pendant que l'interrupteur est enfoncé, l'interrupteur sera verrouillé en position de fonctionnement. Pour relâcher le bouton de verrouillage, appuyez sur l'interrupteur et relâchez-le (Fig. 5).

Fig. 5

Verrouillage de l'interrupteur



Déverrouillage



Coupe orbitale

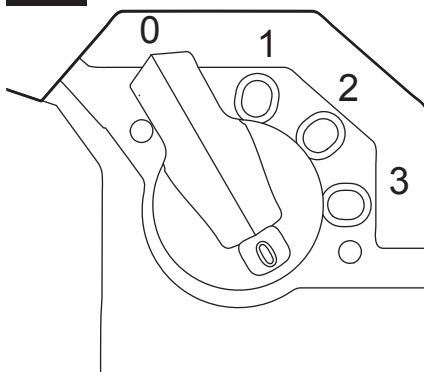
Cette scie est munie d'une commande orbitale qui vous permet de choisir le meilleur mouvement de coupe pour votre matériau.

Il suffit de tourner le levier à la position souhaitée pour le type de coupe que vous effectuez.

Tournez le levier à un réglage plus élevé pour augmenter le mouvement orbital. Tournez le levier à un réglage moins élevé pour diminuer le mouvement orbital.

Il existe quatre réglages de coupe à mouvement orbital qui peuvent être choisis en fonction des différents types de matériaux (Fig. 6).

Fig. 6



Réglage 0 : coupe précise dans tous les matériaux (coupes droites et courbées).

Réglage 1 : coupe rapide dans le métal (coupes droites uniquement).

Réglage 2 : coupe rapide dans le plastique (coupes droites uniquement).

Réglage 3 : coupe rapide dans le bois franc (coupes droites uniquement).

AVIS : Commencez toujours par effectuer des coupes d'essai sur une retaille pour déterminer le meilleur réglage.

AVIS : Sélectionnez toujours le réglage 0 pour scier des matériaux susceptibles de se fendiller.

AVIS : Pour atteindre un mouvement orbital maximal, la lame doit être orientée vers l'avant, l'arrière de la lame doit reposer dans la rainure de la roulette et l'avant de la semelle doit être posé à plat sur la pièce. Il est impossible de détecter le mouvement orbital lorsque la scie marche à vide. La scie doit entamer une pièce pour que le mouvement orbital se produise. Il est plus facile de remarquer une amélioration de la vitesse de coupe lorsque l'on scie une pièce plus épaisse.

⚠ AVERTISSEMENT Pour réduire le risque de blessure, attendez toujours que la scie sauteuse soit complètement arrêtée avant de modifier le réglage du mouvement orbital.

Interrupteur à glissière du dépoussiéreur

Pour souffler la sciure, déplacez l'interrupteur au réglage de soufflage 0 (Fig. 7).

Pour désactiver la fonction de soufflage, déplacez l'interrupteur au réglage 1 (Fig. 8).

Fig. 7

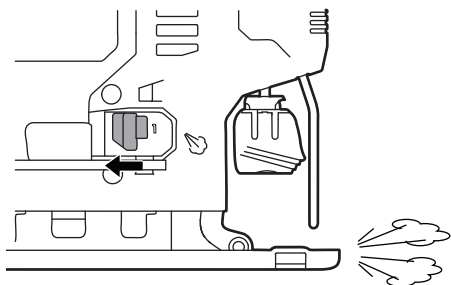
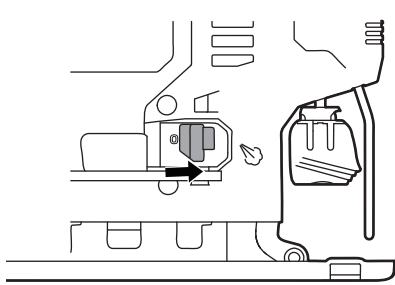


Fig. 8



⚠ AVERTISSEMENT Pour réduire le risque de blessure, attendez toujours que la scie sauteuse soit complètement arrêtée avant de modifier le réglage de soufflage.

Réglage de l'angle de coupe en biseau de la semelle

Fig. 9

Pour régler l'angle de coupe, retournez l'outil; desserrer la vis à tête hexagonale qui fixe le pied à l'aide de la clé hexagonale. (Fig. 9)

Avancez légèrement le pied et inclinez-le selon l'angle requis (0° ou 45°) à l'aide de l'échelle (0° ou 45°) indiquée sur le support de base. Le pied est muni d'encoches à 0° et 45° (inclinaison vers la gauche ou la droite) pour faciliter le réglage de l'angle. (Fig. 10 et Fig. 11)

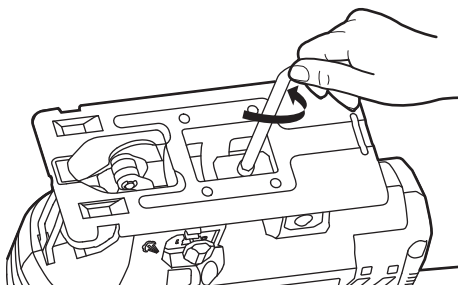


Fig. 10

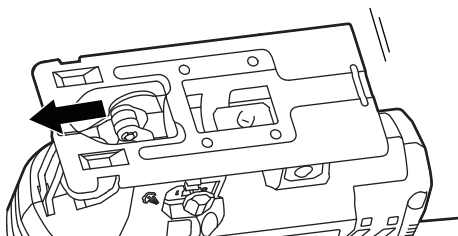
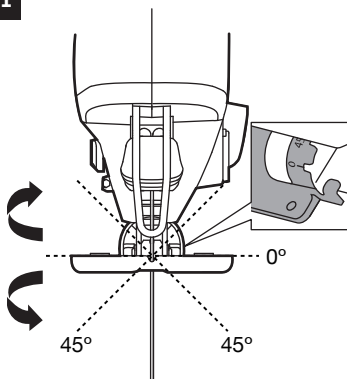


Fig. 11



Déplacez le pied légèrement vers l'arrière jusqu'à ce que les goupilles de blocage se trouvent dans les encoches à 0° ou 45° (Fig. 12 et Fig. 13).

Assurez-vous que la goupille de blocage se trouve dans l'encoche correspondant à l'angle sélectionné. Faites pivoter le levier à biseau vers l'arrière pour verrouiller le pied.

Fig. 12

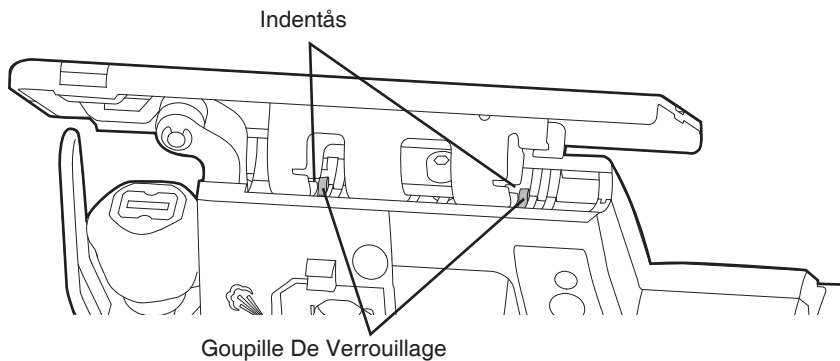
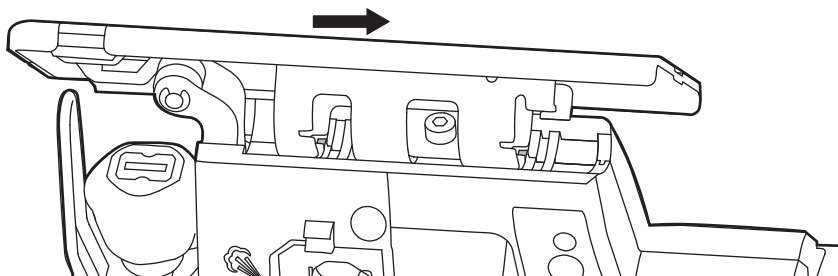


Fig. 13



Conseils pour la coupe

Placez le « bon » côté de la pièce à travailler vers le bas et fixez la pièce à l'aide d'un étau d'établi ou d'un serre-joint. Dessinez des lignes de coupe ou des formes sur le côté de la pièce orienté vers vous. Placez ensuite l'extrémité avant de la semelle de la scie sur la pièce à travailler et alignez la lame sur la ligne de coupe. Tenez la scie sauteuse fermement, mettez-la en marche et maintenez la semelle de la scie appuyée contre la pièce tandis que vous avancez lentement la lame de scie en suivant la ligne de coupe.

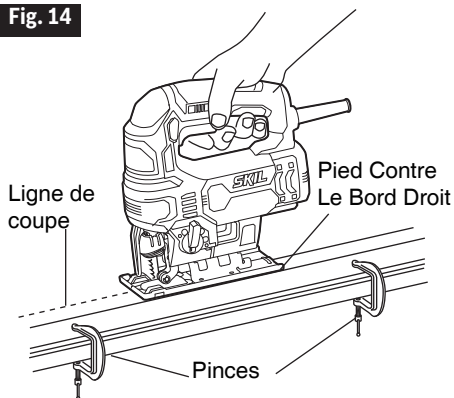
Augmentez graduellement la vitesse de coupe en coupant près de la ligne (à moins que vous ne souhaitiez laisser du matériel pour le ponçage de finition). Vous devrez peut-être ajuster ou déplacer l'étau ou le serre-joint pendant la coupe pour stabiliser la pièce à travailler. Ne forcez pas la scie, faute de quoi les dents de la lame peuvent frotter et s'user sans couper la pièce et la lame peut se briser. Laissez la scie effectuer la majeure partie du travail. Lorsque vous suivez des lignes courbes, coupez lentement pour que la lame puisse couper transversalement au grain. Vous obtiendrez ainsi une coupe précise et empêcherez la lame de dévier de sa trajectoire.

Coupe à l'aide d'un guide à bord droit, utilisez une lame de coupe grossière lorsque cela est possible. Fixez un guide à bord droit sur la pièce à travailler parallèlement à la ligne de coupe de façon à ce qu'il soit possible d'y accoter la semelle de la scie pendant la coupe.

Vous pouvez soit commencer par marquer la ligne de coupe, puis placer le bord droit du guide parallèlement à la ligne à une distance équivalente à la distance qui sépare la lame du bord de la semelle, soit commencer par marquer la distance qui sépare le bord de la semelle de la ligne de coupe, puis fixer le guide à bord droit sur la marque, parallèlement à la ligne de coupe (Fig. 14).

Pendant la coupe, gardez le bord de la semelle appuyé contre le guide à bord droit et maintenez la semelle à plat sur la pièce travaillée (Fig. 14).

Fig. 14



Coupe de métaux

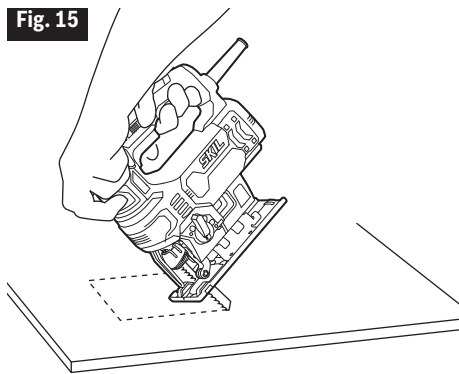
Lorsque vous coupez des métaux, fixez bien la pièce à couper. Assurez-vous de déplacer la scie lentement. Réglez la scie à l'une des vitesses inférieures. Évitez de tordre, de plier ou de forcer la lame. Si la scie recule ou fait des rebonds, utilisez une lame munie de dents plus fines. Si la sciure reste coincée entre les dents de la lame lorsque vous coupez des métaux mous, utilisez une lame munie de plus grosses dents.

- Pour faciliter la coupe, lubrifiez la lame avec un bâtonnet de cire de coupe, si disponible, ou avec de l'huile de coupe lorsque vous coupez de l'acier.
- Le métal mince doit être intercalé entre deux morceaux de bois ou fermement fixé à une seule pièce de bois (placez la pièce en bois sur la pièce en métal). Tracez les lignes de coupe ou les formes sur la pièce de bois supérieure.
- Lorsque vous coupez un profilé en aluminium ou un coin de fer, fixez la pièce dans un étau et coupez à proximité de l'étau.
- Lorsque vous sciez un tuyau dont le diamètre est supérieur à la profondeur de coupe de la lame, coupez la paroi du tuyau, puis insérez la lame dans l'entaille et faites tourner le tuyau pendant que vous le sciez.

Coupe en plongée (Fig. 15)

La coupe en plongée est utile et permet de gagner du temps lorsque l'on fait des ouvertures grossières dans des matériaux plus mous. Il n'est pas nécessaire de percer un trou pour découper un carré ou effectuer une coupe à partir du centre de la pièce. N'essayez pas de plonger dans des matériaux durs, tels que l'acier.

Fig. 15



1. Tracez les lignes de l'ouverture.
2. Tenez fermement la scie et inclinez-la vers l'avant de sorte que le bout de la semelle repose sur la pièce, mais que la lame en demeure bien éloignée.
3. Démarrez le moteur, puis abaissez très progressivement la lame.
4. Lorsque la lame entre en contact avec la pièce, continuez à appuyer sur le bout de la semelle de la scie tout en abaissant lentement la scie comme une charnière jusqu'à ce que la lame traverse la pièce et que la semelle repose à plat sur celle-ci.
5. Continuez à scier la pièce en suivant la ligne de coupe.

NOTICE: Nous déconseillons d'effectuer une coupe en plongée avec une lame à chantourner.

Pour couper des angles aigus, coupez jusqu'au coin, puis reculez légèrement la scie avant de tourner le coin. Une fois l'ouverture terminée, recoupez chaque coin dans la direction opposée pour finaliser la coupe.

ENTRETIEN

Entretien

⚠ AVERTISSEMENT L'entretien préventif effectué par une personne non autorisée peut avoir comme résultat de déplacer les fils et les composants internes de l'outil, ce qui pourrait constituer un grave danger. Nous recommandons que tout entretien de l'outil soit effectué dans un centre de service de l'usine de SKIL ou dans un centre de service autorisé par SKIL.

Lubrification de l'outil

Votre outil SKIL a été correctement lubrifié et il est prêt à être utilisé. Il est recommandé de graisser les outils à engrenages à l'aide d'un lubrifiant à engrenage spécial chaque fois que l'on change un balai.

Balais de carbone

Les balais et l'interrupteur de votre outil ont été conçus pour de nombreuses heures de service fiable. Pour garder le moteur en parfaite condition de marche, nous recommandons de vérifier les balais tous les deux à six mois. Utilisez seulement des balais de rechange SKIL authentiques spécialement conçus pour votre outil.

Nettoyage

⚠ AVERTISSEMENT To avoid accidents always disconnect the tool from the power supply before cleaning or performing any maintenance. The tool may be cleaned most effectively with compressed dry air. **Always wear safety goggles when cleaning tools with compressed air.**

Ventilation openings and switch levers must be kept clean and free of foreign matter. Do not attempt to clean by inserting pointed objects through openings.

⚠ MISE EN GARDE Certains agents nettoyants et solvants endommagent les pièces en plastique. Notamment : l'essence, le tétrachlorure de carbone, les solvants nettoyants chlorés, l'ammoniac et les détergents ménagers qui contiennent de l'ammoniac.

Rangement

Rangez l'outil à l'intérieur dans un endroit inaccessible aux enfants. Rangez-le à l'écart des agents corrosifs.

RALLONGES

⚠ AVERTISSEMENT Si vous devez utiliser une rallonge, assurez-vous d'utiliser un cordon doté de conducteurs d'une taille convenant au courant d'alimentation nécessaire à votre outil. Cela permettra d'éviter une chute de tension importante, une perte de puissance ou une surchauffe. Les outils mis à la terre nécessitent une rallonge trifilaire munie d'une fiche de mise à la terre à 3 broches et de prises tripolaires.

REMARQUE : Plus le numéro du calibre est bas, plus la rallonge est résistante.

LONGUEURS RECOMMANDÉES POUR LES RALLONGES ÉLECTRIQUES DE 120 V UTILISÉES AVEC DES OUTILS ALIMENTÉS PAR UN COURANT ALTERNATIF

Intensité nominale de l'outil	Taille de la rallonge en calibre américain des fils (AWG)	Taille des fils en mm ²			
	Longueur du cordon en pieds 25 50 100 150	Longueur du cordon en mètres 15 30 60 120			
3-6	18 16 16 14	0.75	0.75	1.5	2.5
6-8	18 16 14 12	0.75	1.0	2.5	4.0
8-10	18 16 14 12	0.75	1.0	2.5	4.0
10-12	16 16 14 12	1.0	2.5	4.0	-
12-16	14 12 - -	-	-	-	-

DÉPANNAGE

Problème	Cause	Solutions
L'outil ne démarre pas	<ol style="list-style-type: none"> 1. Le cordon d'alimentation n'est pas branché. 2. Un fusible a sauté ou un disjoncteur s'est déclenché. 3. Le cordon est endommagé. 4. L'interrupteur est grillé. 	<ol style="list-style-type: none"> 1. Branchez l'outil sur la source d'alimentation. 2. Remplacez le fusible ou remplacez le disjoncteur déclenché. (Si le produit fait sauter les fusibles ou déclenche les disjoncteurs régulièrement, cessez immédiatement de l'utiliser et faites-le réparer dans un centre de service autorisé par SKIL.) 3. Vérifiez si le cordon est endommagé. En Si le cordon est endommagé, faites-le remplacer dans un centre de service autorisé par SKIL. 4. Faites remplacer l'interrupteur dans un centre de service autorisé par SKIL.
La vitesse de l'outil n'augmente pas	<ol style="list-style-type: none"> 1. La rallonge est trop longue ou de calibre insuffisant. 2. La tension électrique normale est basse. 	<ol style="list-style-type: none"> 1. Utilisez une rallonge adéquate (consultez la section « RALLONGES »). 2. Communiquez avec votre compagnie d'électricité.
Vibration excessive	<ol style="list-style-type: none"> 1. La lame est pliée. 2. La lame n'est pas bien fixée dans le support de lame. 	<ol style="list-style-type: none"> 1. Jetez la lame et utilisez une lame différente. 2. Consultez la section « Installation de la lame sans outil » du MODE D'EMPLOI.

GARANTIE LIMITÉE DES OUTILS ÉLECTRIQUES GRAND PUBLIC SKIL PORTATIFS, DE TABLE ET POUR USAGE INDUSTRIEL HD ET SHD

Chervon North America (le « Vendeur ») garantit à l'acheteur initial seulement que tous les outils électriques grand public SKIL portatifs, de table et pour usage industriel HD et SHD seront exempts de vices de matériau ou de façon pendant une période d'un an depuis la date d'achat. Les modèles d'outils électriques grand public SKIL portatifs et de table seront exempts de vices de matériau ou de façon pendant une période de quatre-vingt-dix jours si l'outil est utilisé professionnellement.

LA SEULE OBLIGATION DU VENDEUR ET LE SEUL RECOURS DE L'ACHETEUR sous la présente garantie limitée, et dans la mesure où la loi le permet sous toute garantie ou condition implicite qui en découlerait, sera l'obligation de remplacer ou réparer gratuitement les pièces défectueuses en termes de matériau ou de façon, pourvu que lesdites déficiences ne soient pas attribuables à un usage abusif ou à quelque réparation ou altération bricolée par quelqu'un d'autre que le Vendeur ou le personnel d'une station-service agréée. En cas de réclamation sous la présente garantie limitée, l'acheteur est tenu de renvoyer l'outil complet en port payé à un centre de service-usine SKIL ou une station-service agréée. Pour trouver les coordonnées de la station-service agréée SKIL la plus proche, veuillez visiter www.Registermyskil.com ou téléphoner au 1-877-SKIL-999 (1-877-754-5999).

LA PRÉSENTE GARANTIE NE S'APPLIQUE PAS AUX ACCESSOIRES TELS QUE LAMES DE SCIE CIRCULAIRE, MÈCHES DE PERCEUSES, FERS DE TOUPIES, LAMES DE SCIES SAUTEUSES, COURROIES DE PONÇAGE, MEULES ET AUTRES ARTICLES DU GENRE.

TOUTE GARANTIE IMPLICITE SERA LIMITÉE À UNE DURÉE À UN AN À COMPTER DE LA DATE D'ACHAT. COMME CERTAINS ÉTATS AMÉRICAINS ET CERTAINES PROVINCES CANADIENNES N'ADMETTENT PAS LE PRINCIPE DE LA LIMITATION DE LA DURÉE DES GARANTIES IMPLICITES, IL EST POSSIBLE QUE LES LIMITATIONS CI-DESSUS NE S'APPLIQUENT PAS À VOTRE CAS.

EN AUCUN CAS LE VENDEUR NE SAURAIT ÊTRE TENU POUR RESPONSABLE DES INCIDENTS OU DOMMAGES INDIRECTS (INCLUANT, MAIS NE SE LIMITANT PAS AUX PERTES DE PROFITS) CONSÉCUTIFS À LA VENTE OU À L'USAGE DE CE PRODUIT. COMME CERTAINS ÉTATS AMÉRICAINS ET CERTAINES PROVINCES CANADIENNES N'ADMETTENT PAS LE PRINCIPE DE LA LIMITATION OU DE L'EXCLUSION DES DOMMAGES INDIRECTS ET SECONDAIRES, IL EST POSSIBLE QUE LES LIMITATIONS OU EXCLUSIONS CI-DESSUS NE S'APPLIQUENT PAS À VOTRE CAS.

CETTE GARANTIE LIMITÉE VOUS DONNE DES DROITS PRÉCIS, ET VOUS POUVEZ ÉGALEMENT AVOIR D'AUTRES DROITS QUI VARIENT D'UN ÉTAT À L'AUTRE AUX ÉTATS-UNIS, D'UNE PROVINCE À L'AUTRE AU CANADA, ET D'UN PAYS À L'AUTRE.

CETTE GARANTIE LIMITÉE S'APPLIQUE UNIQUEMENT AUX OUTILS VENDUS AUX ÉTATS-UNIS D'AMÉRIQUE, AU CANADA ET DANS LE COMMONWEALTH DE PORTO RICO. POUR CONNAÎTRE LA COUVERTURE DE GARANTIE DANS LES AUTRES PAYS, CONTACTEZ VOTRE IMPORTATEUR OU REVENDEUR SKIL LOCAL.

© Chervon North America, 1203 E. Warrenville Rd, Naperville, IL 60563.

04/19

ÍNDICE

Advertencias de seguridad general en el manejo de herramientas eléctricas	46-48
Advertencias de seguridad para la sierra de vaivén	48
Advertencias de seguridad adicionales	49
Símbolos	50-53
Conozca su sierra de vaivén	54
Especificaciones	55
Instrucciones de funcionamiento	56-62
Mantenimiento	63
Extensiones eléctricas	64
Solución de problemas	65
Garantía limitada para herramientas mecánicas portátiles de consumo, de banco y de servicio pesado hd y shd de SKIL	66

⚠ ADVERTENCIA

- Parte del polvo causado por el lijado eléctrico, el serruchado, la trituración, el taladro y otras actividades de construcción contiene sustancias químicas que, según el estado de California, causan cáncer, defectos congénitos u otros daños reproductivos. Algunos ejemplos de estos productos químicos son:
 - Plomo de pinturas a base de plomo.
 - Sílice cristalina de ladrillos, cemento y otros productos de mampostería.
 - Arsénico y cromo de madera tratada con químicos.
- El riesgo que corre debido a la exposición a estos químicos varía según la frecuencia con que realiza este tipo de trabajo. Para reducir la exposición a estas sustancias químicas:
 - Trabaje en un área bien ventilada.
 - Trabaje con equipo de seguridad aprobado, como las mascarillas antipolvo especialmente diseñadas para filtrar partículas microscópicas.
 - Evite estar en contacto prolongado con el polvo provocado por el lijado, el aserrado, la trituración y el taladrado, y otras actividades de construcción. Use ropa protectora y lave todas las áreas expuestas del cuerpo con agua y jabón. Si permite que el polvo llegue a su boca o a sus ojos, o que caiga sobre la piel, podría fomentar la absorción de productos químicos dañinos.

ADVERTENCIAS DE SEGURIDAD GENERAL EN EL MANEJO DE HERRAMIENTAS ELÉCTRICAS

⚠ ADVERTENCIA Lea todas las advertencias de seguridad, las instrucciones, las ilustraciones y las especificaciones que se incluyen esta herramienta eléctrica. No seguir todas las instrucciones que se detallan a continuación podría provocar descargas eléctricas, incendios o lesiones graves.

GUARDE TODAS LAS ADVERTENCIAS E INSTRUCCIONES PARA REFERENCIA FUTURA.

El término “herramienta eléctrica” que aparece en las advertencias se refiere a la herramienta eléctrica que se conecta a la línea principal (con cable) o a la herramienta eléctrica que funciona con batería (inalámbrica).

Seguridad en el área de trabajo

Mantenga el área de trabajo limpia y bien iluminada. Las áreas desordenadas u oscuras aumentan las posibilidades de accidentes.

No utilice herramientas eléctricas en atmósferas en las que exista riesgo de explosión, como por ejemplo en presencia de líquidos inflamables, gases o polvo. Las herramientas eléctricas producen chispas que podrían encender el polvo o el humo.

Mantenga a los niños y transeúntes alejados mientras opera una herramienta eléctrica. Las distracciones pueden hacerle perder el control.

Seguridad eléctrica

Los enchufes de las herramientas eléctricas deben encajar en el tomacorriente. Nunca modifique el enchufe de ninguna manera. No utilice ningún enchufe adaptador con herramientas eléctricas con puesta a tierra. Los enchufes sin modificaciones y que encajan en los tomacorrientes reducen el riesgo de descarga eléctrica.

Evite el contacto del cuerpo con superficies con puesta a tierra, como tuberías, radiadores, estufas o refrigeradores. Existe un riesgo adicional de descarga eléctrica si su cuerpo tiene puesta a tierra.

No exponga las herramientas eléctricas a la lluvia o a condiciones de humedad. Si ingresa agua en una herramienta eléctrica, el riesgo de descarga eléctrica aumentará.

No maltrate el cable. Nunca use el cable para transportar, jalar ni desenchufar la herramienta eléctrica. Mantenga el cable alejado del calor, el aceite, los bordes filosos o las piezas en movimiento. Los cables dañados o enredados aumentan el riesgo de descarga eléctrica.

Cuando utilice una herramienta eléctrica en exteriores, use una extensión eléctrica adecuada para uso en exteriores. El uso de un cable apto para uso en exteriores reduce el riesgo de descarga eléctrica.

Si debe utilizar una herramienta eléctrica en un área húmeda, use un suministro protegido con un interruptor de circuito de falla de puesta a tierra (GFCI, por sus siglas en inglés). El uso de un interruptor GFCI disminuye el riesgo de descarga eléctrica.

Seguridad personal

Manténgase alerta, preste atención a lo que hace y utilice el sentido común cuando utilice una herramienta eléctrica. No utilice una herramienta eléctrica si está cansado o bajo los efectos de drogas, alcohol o medicamentos. Un momento de desatención mientras opera herramientas eléctricas puede provocar lesiones personales graves.

Use un equipo de protección personal. Use siempre lentes de protección. Los equipos de protección, como mascarillas antipolvo, zapatos de seguridad antideslizantes, cascos protectores o protección auditiva, utilizados para las condiciones adecuadas, disminuyen el riesgo de lesiones personales.

Evite un arranque accidental. Asegúrese de que el interruptor esté en la posición de apagado antes de conectar la herramienta a la fuente de alimentación o la batería, o antes de levantarla o transportarla. Transportar herramientas eléctricas con el dedo en el interruptor o enchufar herramientas eléctricas que tienen el interruptor encendido aumenta las posibilidades de sufrir accidentes.

Retire todas las llaves de ajuste o llaves inglesas antes de encender la herramienta eléctrica. Si se deja una llave inglesa o una llave conectada a una pieza giratoria de la herramienta eléctrica, se podrían producir lesiones personales.

No se extienda demasiado. Mantenga una postura y un equilibrio adecuados en todo momento. Esto permite un mejor control de la herramienta eléctrica en situaciones inesperadas.

Use ropa adecuada. No use ropa holgada ni joyas. Mantenga el cabello, la ropa y los guantes lejos de las piezas en movimiento. La ropa holgada, las joyas o el cabello largo pueden quedar atrapados en las piezas en movimiento.

Si se proporcionan dispositivos para la conexión de instalaciones de extracción y recolección de polvo, asegúrese de que se conecten y se usen debidamente. La recolección de polvo puede disminuir los peligros relacionados con el polvo.

No permita que la familiaridad del uso frecuente de las herramientas lo haga no tener en cuenta los principios de seguridad de las herramientas. Un descuido puede ocasionar una lesión grave en cuestión de segundos.

Uso y cuidado de las herramientas eléctricas

No fuerce la herramienta eléctrica. Utilice la herramienta eléctrica adecuada para su tarea. La herramienta eléctrica adecuada realizará un trabajo más seguro y de mejor calidad al ritmo para el que se diseñó.

No utilice la herramienta eléctrica si el interruptor no la enciende o apaga. Cualquier herramienta eléctrica que no pueda controlarse con el interruptor es peligrosa y debe repararse.

Desconecte el enchufe de la fuente de alimentación o retire el paquete de baterías de la herramienta eléctrica (si es posible) antes de realizar cualquier ajuste, cambiar accesorios o almacenar herramientas eléctricas. Este tipo de medidas de seguridad preventivas reduce el riesgo de arranques accidentales de la herramienta eléctrica.

Almacene las herramientas eléctricas que no estén en uso fuera del alcance de los niños y no permita que personas no familiarizadas con la herramienta o estas instrucciones la operen. Las herramientas eléctricas son peligrosas en manos de usuarios sin capacitación.

Realice mantenimiento a las herramientas eléctricas y a los accesorios. Revise si hay piezas móviles desalineadas o torcidas, si hay piezas rotas y cualquier otra condición que pueda afectar el funcionamiento de la herramienta eléctrica. Si se daña la herramienta eléctrica, hágala reparar antes de usarla. Muchos accidentes son producto del mantenimiento incorrecto de las herramientas eléctricas.

Mantenga las herramientas de corte afiladas y limpias. Las herramientas de corte que se mantienen adecuadamente, con sus bordes de corte afilados, son menos propensas a trabarse y son más fáciles de controlar.

Use la herramienta eléctrica, los accesorios, las brocas, etc. de acuerdo con estas instrucciones, considerando las condiciones de trabajo y el trabajo que desea realizar. El uso de la herramienta eléctrica en operaciones distintas para las que fue diseñada podría crear una situación de peligro.

Mantenga las manijas y las superficies de agarre secas, limpias y sin aceite ni grasa. Las manijas y superficies de agarre húmedas no permiten una manipulación segura ni controlar la herramienta en situaciones inesperadas.

Uso y cuidado de herramientas con batería

Recargue solo con el cargador especificado por el fabricante. Un cargador adecuado para un tipo de paquete de baterías puede crear un riesgo de incendio cuando se usa con otro paquete de baterías.

Use las herramientas eléctricas solo con los paquetes de baterías específicamente designados para ellas. El uso de cualquier otro paquete de baterías puede crear un riesgo de lesión e incendio.

Cuando el paquete de baterías no está en uso, aléjelo de objetos metálicos, como sujetapapeles, monedas, llaves, clavos, tornillos u otros objetos metálicos pequeños que pudieran crear una conexión entre los terminales. Es posible que conectar los terminales de la batería entre sí produzca quemaduras o un incendio.

En condiciones de maltrato, es posible que salga líquido de la batería. Evite el contacto. Si se produce un contacto accidental, enjuague con agua. Si el líquido entra en contacto con los ojos, solicite atención médica adicional. El líquido que sale de la batería puede provocar irritación o quemaduras.

No utilice un paquete de baterías ni una herramienta si están dañadas o modificadas. Las baterías dañadas o modificadas pueden mostrar una conducta impredecible que ocasione incendios, explosiones o riesgo de lesión.

No exponga el paquete de baterías ni la herramienta al fuego o a una temperatura excesiva. La exposición al fuego o a temperaturas por encima de los 265 °F podría causar una explosión.

Siga todas las instrucciones de carga y no cargue el paquete de baterías ni las herramientas fuera del rango de temperatura especificado en las instrucciones. La carga inadecuada o a temperaturas fuera del rango especificado podría dañar la batería y aumentar el riesgo de incendio.

Reparación

Permita que solo una persona capacitada repare la herramienta eléctrica, mediante el uso solo de piezas de repuesto idénticas. Esto mantendrá la seguridad de la herramienta eléctrica.

Nunca realice mantenimiento a los paquetes de batería. Solo el fabricante o proveedores de servicio autorizados pueden realizar el mantenimiento de los paquetes de baterías.

ADVERTENCIAS DE SEGURIDAD PARA LA SIERRA DE VAIVÉN

Sostenga la herramienta eléctrica de las superficies de agarre aisladas al realizar una operación en la que el accesorio de corte pueda entrar en contacto con cableado oculto. Si un accesorio de corte entra en contacto con un cable "energizado" es posible que "energice" las piezas de metal expuestas de la herramienta eléctrica y podría provocar una descarga eléctrica al operador.

Utilice abrazaderas u otro método práctico para asegurar y sostener la pieza de trabajo de una plataforma estable. Sostener la pieza de trabajo con una sola mano o apoyada en el cuerpo es inestable y puede causar pérdida de control.

ADVERTENCIAS DE SEGURIDAD ADICIONALES

Asegure el material antes de cortarlo. Nunca lo sostenga con la mano ni sobre las piernas. Es posible que materiales delgados o pequeños se doblen o vibren con la hoja, provocando una pérdida de control.

No taladre, fije ni traspase una pared existente u otras áreas ocultas donde haya cableado eléctrico. Si esta situación es inevitable, desconecte todos los fusibles o interruptores de circuito que alimentan el área de trabajo.

Nunca deje el gatillo bloqueado en la posición de encendido "ON". Antes de enchufar la herramienta, verifique que la traba del gatillo esté en la posición de apagado "OFF". Los arranques accidentales pueden provocar lesiones.

Tenga en cuenta la ubicación y el ajuste del botón de bloqueo del interruptor. Si el interruptor está bloqueado en la posición de encendido durante el uso, esté preparado para apagarlo en una situación de emergencia; primero apretando el gatillo y luego soltándolo inmediatamente, sin presionar el botón de bloqueo.

Mantenga las manos alejadas del área de corte. No toque el área debajo del material que está cortando. La proximidad de la hoja con su mano estará oculta a la vista.

No utilice hojas desafiladas o dañadas. Las hojas torcidas se pueden romper fácilmente o pueden causar un contragolpe.

Antes de comenzar a cortar, encienda la herramienta y deje que la hoja alcance la velocidad máxima. La herramienta puede vibrar si la velocidad de la hoja es demasiado baja al principio del corte y posiblemente haga un contragolpe.

Use siempre gafas de seguridad o lentes de protección cuando utilice esta herramienta. Use una mascarilla antipolvo o un respirador para aplicaciones que generan polvo.

Asegúrese de que todos los tornillos de ajuste y el soporte de la hoja estén firmes antes de realizar un corte. Si los tornillos de ajuste y los soportes están sueltos, esto podría provocar que la herramienta o la hoja se deslizaran, lo que provocaría una pérdida de control.

Al retirar la hoja de la herramienta, evite el contacto con la piel y utilice guantes protectores adecuados al agarrar la hoja o el accesorio. Es posible que los accesorios estén calientes después de un uso prolongado.

El uso de un interruptor de circuito de falla de puesta a tierra y de dispositivos de protección personal, como guantes de goma y calzado para electricistas, mejorarán aún más su seguridad personal.

No utilice herramientas con calificación "Solo CA" con un suministro de electricidad de CC. Aunque parezca que la herramienta funciona, es probable que los componentes eléctricos de CA fallen y creen un peligro para el operador.

Mantenga los mangos secos, limpios y sin aceite ni grasa. Si tiene las manos resbaladizas, no podrá controlar con seguridad la herramienta eléctrica.

Implemente un programa de mantenimiento periódico para la herramienta. Cuando limpie una herramienta, no desmonte ninguna parte de esta, ya que los cables internos podrían quedar mal colocados o pellizcados, o los resortes de retorno del resguardo de seguridad podrían quedar mal puestos. Algunos productos de limpieza, como la gasolina, el tetracloruro de carbono, el amoníaco y otros, pueden dañar las piezas de plástico.





Peligro de lesiones para el usuario. La reparación del cordón de alimentación solo se debe realizar en un centro de servicio la fábrica SKIL o una estación de servicio SKIL autorizada.

SÍMBOLOS

Símbolos de seguridad

El objetivo de los símbolos de seguridad es captar su atención ante posibles peligros. Los símbolos de seguridad y las explicaciones que se dan merecen su atención y comprensión cuidadosa. Las advertencias del símbolo no eliminan por sí mismas ningún peligro. Las instrucciones y las advertencias que se dan no son substitutos de las medidas adecuadas de prevención de accidentes.

⚠ ADVERTENCIA Asegúrese de leer y de comprender todas las instrucciones de seguridad en este manual del propietario, incluidos todos los símbolos de alerta de seguridad como **“PELIGRO”**, **“ADVERTENCIA”** y **“PRECAUCIÓN”** antes de usar esta herramienta. El incumplimiento de las siguientes instrucciones puede provocar descargas eléctricas, incendios y/o lesiones personales graves.

Las definiciones que se ofrecen a continuación describen el nivel de gravedad de cada símbolo. Lea el manual y preste atención a dichos símbolos.	
	Este es el símbolo de advertencia de seguridad. Se utiliza para advertirlo de los peligros de posibles lesiones personales. Cumpla con todos los mensajes de seguridad a continuación de este símbolo para evitar posibles lesiones o consecuencias fatales.
	PELIGRO indica una situación de peligro que, de no evitarse, ocasionará la muerte o lesiones graves.
	ADVERTENCIA indica una situación potencialmente peligrosa que, de no evitarse, puede ocasionar la muerte o lesiones graves.
	PRECAUCIÓN, se usa con el símbolo de advertencia de seguridad e indica una situación peligrosa que, de no evitarse, puede causar lesiones menores o moderadas.

Mensajes de prevención de daños e información

Estos mensajes informan al usuario sobre informaciones y/o instrucciones importantes que, de no seguirse, pueden causar daños al equipo o la propiedad. Antes de cada mensaje, aparece la palabra **“AVISO”**, como en el ejemplo a continuación:










AVISO: Si no se siguen estas instrucciones se pueden producir daños al equipo o la propiedad.





⚠ ADVERTENCIA Durante el funcionamiento de cualquier herramienta eléctrica, pueden entrar objetos extraños a los ojos y causar graves daños oculares. Use siempre lentes o gafas de seguridad con protecciones laterales y, cuando sea necesario, un protector facial que cubra todo el rostro antes de comenzar a operar una herramienta eléctrica. Recomendamos usar una máscara de seguridad de visión amplia sobre los lentes o las gafas de seguridad estándar con protección lateral. Siempre use lentes de protección que cumplan con la norma ANSI Z87.1.

SÍMBOLOS (CONTINUACIÓN)

IMPORTANTE: Algunos de los siguientes símbolos pueden aparecer en sus herramientas. Obsérvelos y conozca su significado. La interpretación correcta de estos símbolos le permitirá utilizar la herramienta de manera eficaz y segura.

Símbolo	Nombre	Designación/Explicación
V	Voltios	Voltaje (potencial)
A	Amperios	Corriente
Hz	Hertz	Frecuencia (ciclos por segundo)
W	Vatios	Alimentación
kg	Kilogramos	Peso
min	Minutos	Hora
s	Segundos	Hora
∅	Diámetro	Tamaño de las brocas para taladro, piedras de amolar, etc.
n_0	Velocidad sin carga	Velocidad de rotación sin carga
n	Rango de velocidad	Velocidad máxima alcanzable
.../min	Revoluciones o pasadas por minuto	Revoluciones, pasadas, velocidad de superficie, órbitas, etc. por minuto
0	Posición de apagado	Velocidad cero, torsión cero...
1,2,3,... I,II,III,	Ajustes del selector	Ajustes de velocidad, par o posición. Un número mayor significa mayor velocidad
	Selector de regulación continua con apagado	La velocidad aumenta desde el ajuste 0
	Flecha	Acción en la dirección de la flecha
	Corriente alterna	Tipo o característica de corriente
	Corriente directa	Tipo o característica de corriente
	Corriente alterna o directa	Tipo o característica de corriente
	Herramienta de clase II	Designa las herramientas de construcción con doble aislamiento
	Terminal de tierra	Terminal de conexión a tierra
	Sello de iones de litio de RBRC	Designa el programa de reciclaje de baterías de iones de litio
	Sello de níquel-cadmio de RBRC	Designa el programa de reciclaje de baterías de níquel-cadmio

Símbolo	Nombre	Designación/Explicación
	<p>Símbolo de lectura del manual</p>	<p>Indica al usuario que lea el manual</p>
	<p>Símbolo de use de lentes de protección</p>	<p>Siempre use gafas o lentes de seguridad con protecciones laterales y una careta protectora cuando opere este producto</p>

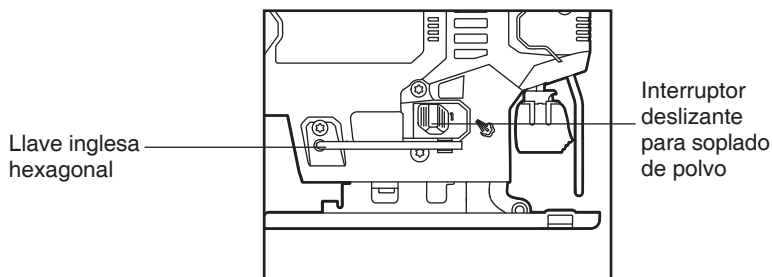
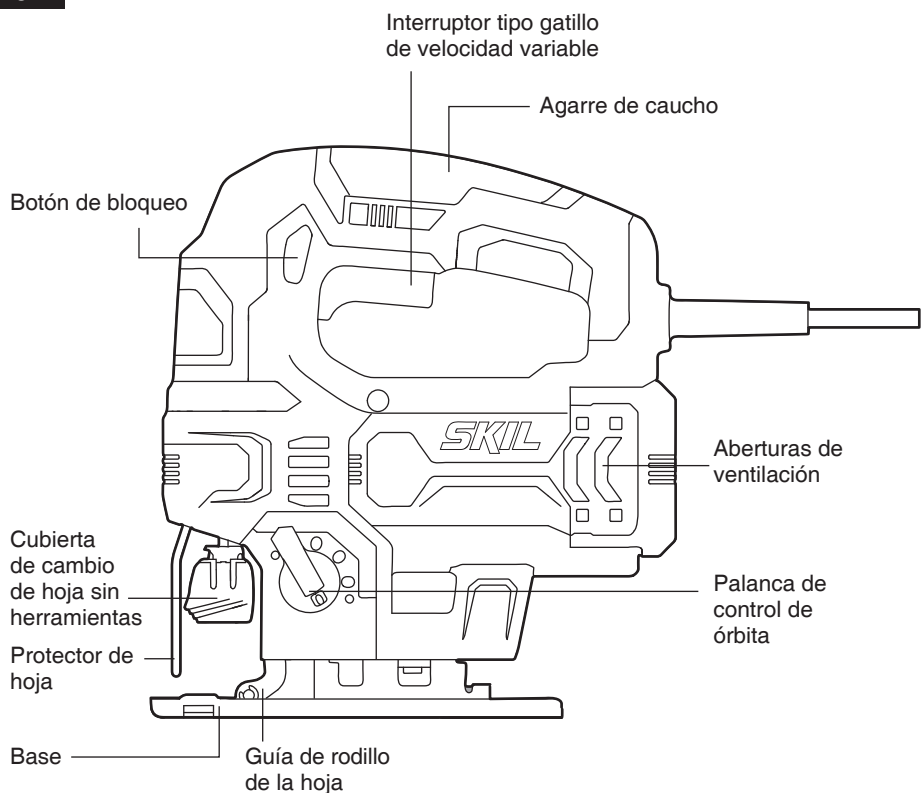
SÍMBOLOS (INFORMACIÓN DE CERTIFICACIÓN)

IMPORTANTE: Algunos de los siguientes símbolos de información de certificación pueden aparecer en sus herramientas. Obsérvelos y conozca su significado. La interpretación correcta de estos símbolos le permitirá utilizar la herramienta de manera eficaz y segura.

Símbolo	Designación/Explicación
	Este símbolo designa que esta herramienta está incluida en la lista de Underwriters Laboratories.
	Este símbolo designa que esta herramienta es reconocida por Underwriters Laboratories.
	Este símbolo designa que esta herramienta está incluida en la lista de Underwriters Laboratories, conforme a las normas de Estados Unidos y Canadá.
	Este símbolo designa que esta herramienta está incluida en la lista de Canadian Standards Association.
	Este símbolo designa que esta herramienta está incluida en la lista de Canadian Standards Association, conforme a las normas de Estados Unidos y Canadá.
	Este símbolo designa que esta herramienta está incluida en la lista de Intertek Testing Services, conforme a las normas de Estados Unidos y Canadá.
	Este símbolo designa que esta herramienta cumple con las normas NOM de México.

CONOZCA SU SIERRA DE VAIVÉN

Fig. 1



ESPECIFICACIONES

General	
Modelo N.º	JS313101
Entrada de alimentación	120V~,60Hz,5A
Velocidad sin carga (n ₀)	0-3000/min
Longitud del recorrido	18mm (3/4")
Ángulo de corte	0°; 45°
Capacidad de corte en madera (mm)	75mm (3 pulg.)
Capacidad de corte en aluminio (mm)	12mm (1/2 pulg.)
Capacidad de corte en metal (mm)	6 mm (15/64 pulg.)

INSTRUCCIONES DE FUNCIONAMIENTO

Instalación de la hoja sin herramientas

⚠ ADVERTENCIA Para evitar lesiones personales, desconecte siempre el enchufe de la fuente de alimentación antes realizar cualquier tarea de ensamblaje, ajuste o cambio de hojas.

1. Eleve la cubierta de cambio de hoja de la hoja sin herramienta e inserte la hoja (con los dientes apuntando a la dirección de corte) en la ranura del soporte de cambio de hoja sin herramienta (Fig. 2).
2. Suelte la cubierta de cambio de hoja sin herramienta para bloquear la hoja en su lugar.
3. Empuje hacia abajo la hoja para verificar que esté asegurada.

AVISO: Cuando inserte la hoja de sierra, la parte posterior debe estar en la ranura del rodillo guía (Fig. 3).

AVISO: La herramienta admite las hojas de vástago en T o en U que están disponibles comúnmente.

4. Para retirar la hoja, levante la cubierta de cambio de hoja sin herramienta y retire cuidadosamente la hoja.

Fig. 2

Cubierta de cambio de hoja sin herramienta

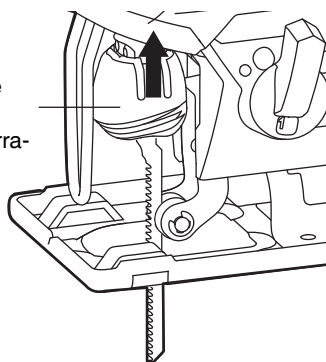
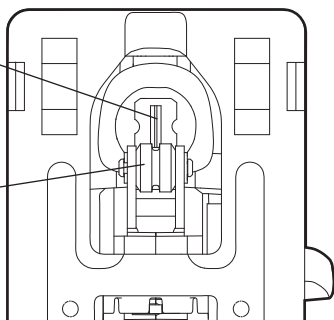


Fig. 3

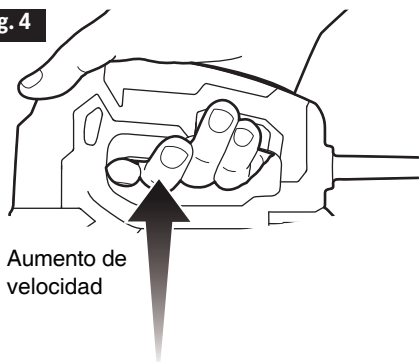
Hoja
Guía de rodillo



Interruptor tipo gatillo de velocidad variable

La herramienta está equipada con un interruptor tipo gatillo de velocidad variable. La herramienta se puede activar o desactivar al apretar o soltar el gatillo. La velocidad se puede ajustar desde el nivel de SPM mínimo hasta el máximo indicado, según la presión que se aplica al gatillo. Aplique más presión para aumentar la velocidad y aplique menos presión para reducirla (Fig. 4).

Fig. 4



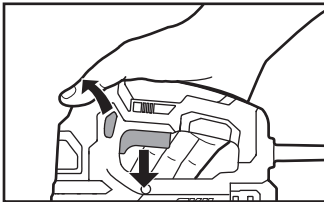
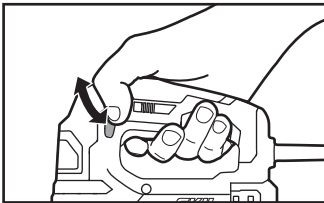
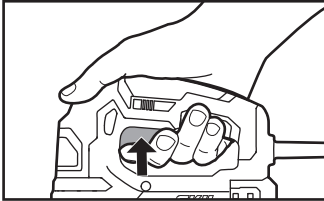
Botón de bloqueo

El botón de bloqueo, situado en el mango de la herramienta, permite un funcionamiento continuo a un máximo de SPM sin apretar el gatillo.

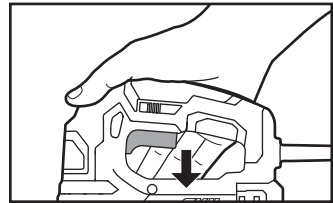
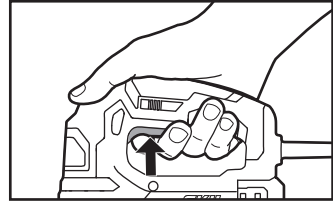
Si presiona el botón de bloqueo mientras está presionado el interruptor tipo gatillo, el interruptor se bloqueará en posición de funcionamiento. Para liberar el botón de bloqueo, presione y suelte el interruptor tipo gatillo (Fig. 5).

Fig. 5

Bloqueo del interruptor tipo gatillo



Liberación del bloqueo



Acción orbital

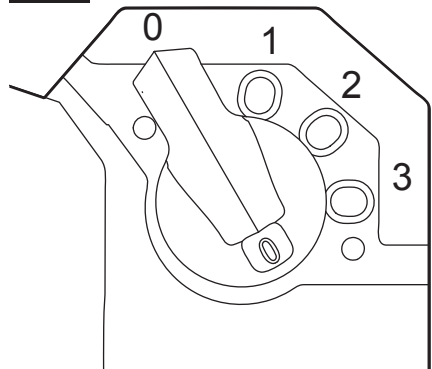
La sierra cuenta con un control de órbita que le permite elegir la mejor acción de corte para su material.

Simplemente, gire la palanca hasta la posición deseada para el tipo de corte que está haciendo.

Gire la palanca a un ajuste más alto para aumentar la acción orbital. Gire la palanca a un ajuste más bajo para disminuir la acción orbital.

Se puede elegir entre cuatro ajustes de corte de acción orbital, según los diferentes tipos de materiales (Fig. 6).

Fig. 6



Ajuste 0: corte preciso en todos los materiales (cortes rectos y curvos).

Ajuste 1: corte rápido en metal (solo cortes rectos).

Ajuste 2: corte rápido en plástico (solo cortes rectos).

Ajuste 3: corte rápido en madera dura (solo cortes rectos).

AVISO: Siempre realice cortes de prueba en el material de desecho primero para determinar el mejor ajuste.

AVISO: Seleccione siempre "0" cuando corte material que se astilla.

AVISO: Para lograr la acción orbital completa, la hoja debe estar apuntando en ángulo recto, la parte trasera de la hoja debe reposar sobre la ranura del rodillo y la base debe estar hacia delante. La acción orbital no se puede detectar cuando la sierra funciona libremente. La sierra debe cortar para que haya acción orbital. Es más fácil ver la velocidad de corte cuando se corta material más grueso.

⚠ ADVERTENCIA Para reducir el riesgo de lesiones, siempre espere a que la sierra de vaivén se detenga por completo antes de cambiar el ajuste de la función orbital.

Interruptor deslizante para soplado de polvo

Para soplar aserrín, coloque el interruptor en el ajuste de soplado 0 (Fig.7).

Para desactivar la función de soplado, mueva el interruptor hacia el ajuste 1 (Fig.8).

Fig. 7

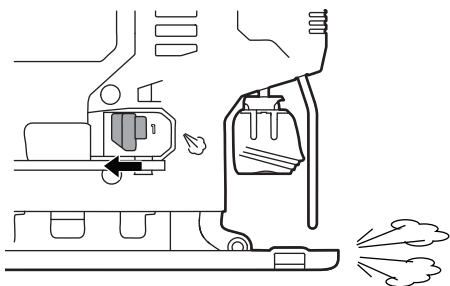
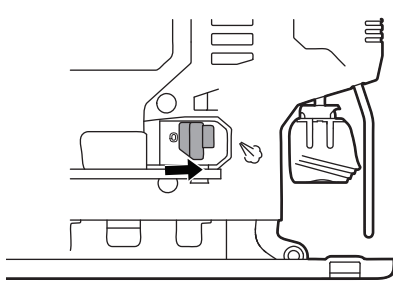


Fig. 8



⚠ ADVERTENCIA Para reducir el riesgo de lesiones, siempre espere a que la sierra de vaivén se detenga por completo antes de cambiar el ajuste de soplado de polvo.

Ajuste del ángulo del biselado de la base

Fig. 9

Para ajustar el ángulo de corte, dé vuelta la herramienta y afloje el tornillo hexagonal que asegura la base con una llave inglesa hexagonal. (Fig. 9)

Mueva la base levemente hacia delante e inclínala al ángulo requerido (0° o 45°) utilizando la escala (0° o 45°) que está marcada en el soporte de la base. La base tiene ranuras a 0° o 45° (inclinación izquierda o derecha) para ajustar fácilmente el ángulo (Fig. 10 y Fig. 11).

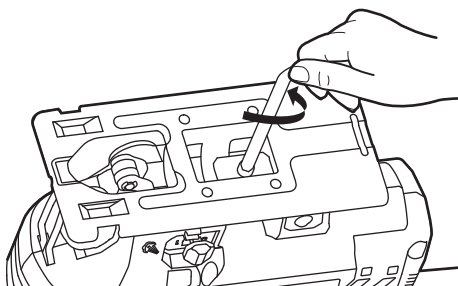


Fig. 10

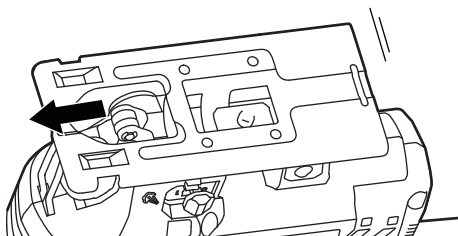
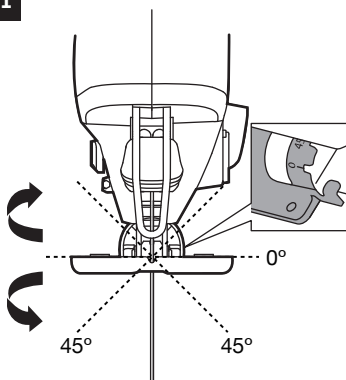


Fig. 11



Mueva la base levemente hacia atrás hasta que las clavijas de bloqueo se ubiquen en las ranuras a 0° o 45° (Fig. 12 y Fig. 13).

Asegúrese de que las clavijas de bloqueo estén ubicadas en las ranuras del ángulo que seleccionó. Vuelva a apretar los tornillos hexagonales.

Fig. 12

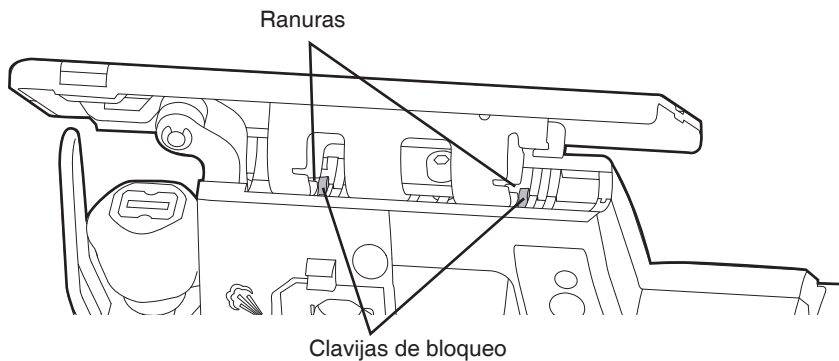
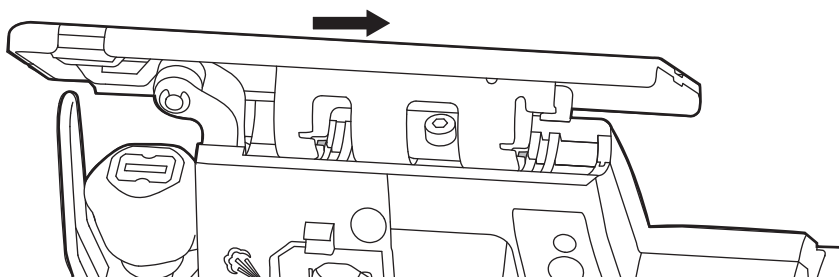


Fig. 13



Consejos de corte

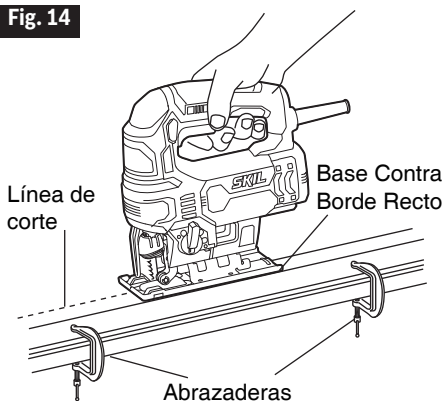
Coloque hacia abajo el lado bueno del material y asegúrelo en una prensa de tornillo o sujételo. Dibuje líneas de corte o diseños sobre el lado del material que apunta hacia usted. Luego, coloque el borde delantero de la base de la sierra en la pieza de trabajo y alinee la hoja con la línea que va a cortar. Sostenga la sierra de vaivén con firmeza, enciéndala y presione hacia abajo (para mantener la base de la sierra en posición plana contra la pieza de trabajo) a medida que presiona lentamente la sierra en la dirección de corte.

Aumente gradualmente la velocidad de corte, siempre cortando cerca de la línea (a menos que quiera dejar lugar para el lijado). Cuando corte, es posible que deba ajustar o reubicar el tornillo de banco o las abrazaderas para mantener estable la pieza. No fuerce la sierra; si lo hace, los dientes de la sierra pueden deslizarse y desgastarse sin cortar, y la hoja se puede quebrar. Deje que la sierra haga la mayor parte del trabajo. Cuando siga curvas, corte lentamente para que la hoja pueda atravesar el grano. Esto le dará un corte preciso y evitará que la hoja se desvíe.

Cortes con una regla de trazar, use una hoja de corte áspero siempre que sea posible. Sujete una regla de trazar sobre la pieza de trabajo en forma paralela a la línea de corte y al ras del costado de la base de la sierra. Puede elegir entre marcar primero la línea de corte y luego colocar la regla en forma paralela y a la misma distancia entre la hoja y el borde de la base; o bien, marcar primero el borde lateral de la base y luego sujetar la regla sobre la marca y en forma paralela a la línea de corte (Fig. 14).

A medida que corte, mantenga el borde de la base de la sierra al ras de la regla y en posición plana a la pieza de trabajo (Fig. 14).

Fig. 14



Corte de metal

Cuando corte metal, siempre sujete el material de manera segura. Asegúrese de mover la sierra lentamente. Use velocidades más bajas. No tuerza, doble ni fuerce la hoja. Si la sierra salta o rebota, use una hoja con dientes más finos. Si la hoja parece atascada cuando corta metal blando, use una hoja con dientes más gruesos.

- Para un corte más fácil, lubrique la hoja con un palillo de cera para corte, si es posible, o use aceite de corte cuando corte acero.
- El metal delgado debe colocarse entre dos piezas de madera o sujetarse con firmeza a una sola pieza de madera (con la madera en la parte superior del metal). Dibuje las líneas o el diseño de corte en la pieza superior de madera.
- Cuando corte extrusiones de aluminio o hierro angular, fije la pieza de trabajo con una prensa de tornillo y corte cerca de esta.
- Cuando corte tuberías y el diámetro sea mayor que la profundidad de la hoja, corte a través de la pared de la tubería y luego inserte la hoja en el corte, rotando la tubería a medida que corta.

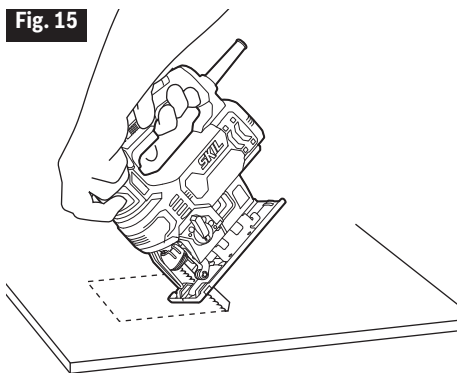
Corte a profundidad (Fig. 15)

El corte a profundidad es útil y ahorra tiempo para realizar aberturas sin terminar en materiales más blandos. No es necesario perforar un orificio desde un corte interior u oculto. No intente cortar a profundidad materiales duros como el acero.

1. Dibuje líneas para la abertura.
2. Sostenga firmemente la sierra e inclínela hacia delante de modo que la punta de la base de la sierra se apoye sobre la pieza, pero con la hoja aún libre para trabajar.
3. Arranque el motor y luego, muy lentamente, baje la hoja.
4. Cuando la hoja toque la pieza, continúe presionando hacia abajo la punta de la base de la sierra mientras gira lentamente la sierra como una bisagra hasta que la hoja corte la pieza de trabajo y la base se apoye de forma plana sobre esta.
5. Luego, siga cortando hacia delante sobre la línea de corte.

AVISO: No recomendamos los cortes a profundidad con una hoja en espiral.

Para hacer bordes limpios, corte hasta la esquina; luego detenga la sierra poco antes de redondear el borde. Una vez que la abertura esté completa, vuelva a cada borde y córtelo desde la dirección opuesta para escuadrarlo.



MANTENIMIENTO

Servicio de ajustes y reparaciones

⚠ ADVERTENCIA Es posible que el mantenimiento preventivo realizado por personal no autorizado tenga como resultado una colocación incorrecta de los cables y componentes internos, lo cual podría causar un peligro grave. Recomendamos que todo el servicio de ajustes y reparaciones de la herramienta sea realizado por un Centro de Servicio de Fábrica SKIL o una Estación de Servicio SKIL Autorizada.

Lubricación de la herramienta

Su herramienta SKIL ha sido debidamente lubricada y está lista para usar. Se recomienda que las herramientas con engranajes se engrasen con un lubricante especializado cada vez que se cambie el cepillo.

Cepillos de carbono

Los cepillos y el conmutador de su herramienta se diseñaron para brindar muchas horas de servicio confiable. Para mantener la eficiencia máxima del motor, recomendamos examinar los cepillos cada dos a seis meses. Solo se deben utilizar cepillos de repuesto SKIL originales, diseñados especialmente para su herramienta.

Limpieza

⚠ ADVERTENCIA Para evitar accidentes, desconecte siempre la herramienta del suministro de electricidad antes de limpiar o realizar cualquier mantenimiento. La herramienta se puede limpiar mejor con aire comprimido seco. **Siempre use gafas de seguridad cuando limpie herramientas con aire comprimido.**

Las aberturas de ventilación y las palancas del interruptor deben mantenerse limpias y libres de materiales extraños. No intente limpiar insertando objetos puntiagudos a través de las aberturas.

⚠ PRECAUCIÓN Ciertos agentes de limpieza y solventes de limpieza dañan las piezas de plástico. Algunos de estos son: gasolina, tetracloruro de carbono, solventes de limpieza clorados, amoníaco y detergentes domésticos que contienen automático.

Almacenamiento

Almacene la herramienta en un lugar cerrado que no sea accesible para los niños. Manténgala alejada de agentes corrosivos.

EXTENSIONES ELÉCTRICAS

⚠️ ADVERTENCIA

Si necesita una extensión eléctrica, debe utilizar un cordón con conductores de tamaño adecuado que sea capaz de transportar la corriente necesaria para la herramienta. Esto evitará caídas de voltaje excesivas, pérdida de potencia o sobrecalentamiento. Las herramientas con puesta a tierra deben usar extensiones eléctricas de 3 conductores, que tengan enchufes y tomacorrientes de 3 clavijas.

Nota: Cuanto más bajo sea el número del calibre, más pesada debe ser la extensión.

TAMAÑOS RECOMENDADOS DE LAS EXTENSIONES ELÉCTRICAS PARA HERRAMIENTAS DE CORRIENTE ALTERNA DE 120 VOLTIOS

Amperaje de la herramienta	Tamaño del cable en A.W.G.				Tamaños de cables en mm ²			
	Largo del cordón en pies				Largo del cordón en metros			
	25	50	100	150	15	30	60	120
3-6	18	16	16	14	0.75	0.75	1.5	2.5
6-8	18	16	14	12	0.75	1.0	2.5	4.0
8-10	18	16	14	12	0.75	1.0	2.5	4.0
10-12	16	16	14	12	1.0	2.5	4.0	-
12-16	14	12	-	-	-	-	-	-

SOLUCIÓN DE PROBLEMAS

Problema	Cause	Solución
La herramienta no arranca.	<ol style="list-style-type: none"> 1. El cable de alimentación no está enchufado. 2. Se fundió el fusible de la fuente de alimentación o se desconectó el interruptor de circuito. 3. El cable está dañado. 4. El interruptor está quemado. 	<ol style="list-style-type: none"> 1. Enchufe la herramienta a una fuente de alimentación. 2. Reemplace el fusible o restablezca el interruptor de circuito que se fundió. (Si el producto hace que el circuito se desconecte o que el fusible se quemé reiteradamente, descontinúe su uso inmediatamente y solicite que lo reparen en un centro de servicio autorizado o una estación de servicio SKIL). 3. Revise el cordón para ver si está dañado. Si está dañado, pida en un centro o estación de servicio autorizada de SKIL que reemplacen el cordón. 4. Pida en un centro o estación de servicio autorizada de SKIL que reemplacen el interruptor.
La herramienta no levanta velocidad	<ol style="list-style-type: none"> 1. La extensión eléctrica es muy larga o el calibre es insuficiente. 2. El voltaje de la casa es bajo. 	<ol style="list-style-type: none"> 1. Reemplácelo con una extensión eléctrica adecuada. (Consulte la sección "EXTENSIONES ELÉCTRICAS"). 2. Comuníquese con su compañía de electricidad.
Vibración excesiva	<ol style="list-style-type: none"> 1. La hoja está doblada. 2. La hoja no está asegurada en el soporte. 	<ol style="list-style-type: none"> 1. Descarte la hoja y use una diferente. 2. Consulte la sección INSTRUCCIONES DE FUNCIONAMIENTO, "Instalación de la hoja sin herramientas".

GARANTÍA LIMITADA PARA HERRAMIENTAS MECÁNICAS PORTÁTILES DE CONSUMO DE SERVICIO PESADO HD, SHD Y MAG DE SKIL

Chervon North America (“el Vendedor”) garantiza, únicamente al comprador original, que todas las herramientas mecánicas portátiles de consumo, de banco y de servicio pesado HD y SHD de SKIL estarán libres de defectos de material o de fabricación durante un período de un año a partir de la fecha de compra. Los modelos de herramientas mecánicas de banco y portátiles de consumo de SKIL estarán libres de defectos de material o de fabricación durante un período de noventa días si la herramienta se emplea para uso profesional.

LA ÚNICA OBLIGACIÓN DEL VENDEDOR Y EL RECURSO EXCLUSIVO QUE USTED TIENE bajo esta Garantía Limitada y, hasta donde la ley lo permita, bajo cualquier garantía o condición implícita por ley, consistirá en la reparación o sustitución sin costo de las piezas que presenten defectos de material o de fabricación y que no hayan sido utilizadas incorrectamente, manejadas descuidadamente o reparadas incorrectamente por personas que no sean el Vendedor o una Estación de servicio autorizada. Para efectuar una reclamación bajo esta Garantía Limitada, usted debe devolver el producto completo, con el transporte prepagado, a cualquier Centro de servicio de fábrica SKIL o Estación de servicio SKIL autorizada. Para localizar Estaciones de servicio autorizadas de herramientas mecánicas SKIL, sírvase visitar www.Registermyskil.com o llame al 1-877-SKIL-999 (1-877-754-5999).

ESTA GARANTÍA LIMITADA NO SE APLICA A ARTÍCULOS ACCESORIOS TALES COMO HOJAS PARA SIERRAS CIRCULARES, BROCAS PARA TALADROS, BROCAS PARA FRESADORAS, HOJAS PARA SIERRAS DE VAIVÉN, CORREAS PARA LIJAR, RUEDAS DE AMOLAR Y OTROS ARTÍCULOS RELACIONADOS.

TODAS LAS GARANTÍAS IMPLÍCITAS TENDRÁN UNA DURACIÓN LIMITADA A UN AÑO A PARTIR DE LA FECHA DE COMPRA. ALGUNOS ESTADOS DE LOS EE.UU. Y ALGUNAS PROVINCIAS CANADIENSES NO PERMITEN LIMITACIONES EN CUANTO A LA DURACIÓN DE UNA GARANTÍA IMPLÍCITA, POR LO QUE ES POSIBLE QUE LA LIMITACIÓN ANTERIOR NO SEA APLICABLE EN EL CASO DE USTED.

EL VENDEDOR NO SERÁ RESPONSABLE EN NINGÚN CASO DE NINGÚN DAÑO INCIDENTAL O EMERGENTE (INCLUYENDO PERO NO LIMITADO A RESPONSABILIDAD POR PÉRDIDA DE BENEFICIOS) QUE SE PRODUZCA COMO CONSECUENCIA DE LA VENTA O UTILIZACIÓN DE ESTE PRODUCTO. ALGUNOS ESTADOS DE LOS EE.UU. Y ALGUNAS PROVINCIAS CANADIENSES NO PERMITEN LA EXCLUSIÓN O LIMITACIÓN DE LOS DAÑOS INCIDENTALES O EMERGENTES, POR LO QUE ES POSIBLE QUE LA LIMITACIÓN O EXCLUSIÓN ANTERIOR NO SEA APLICABLE EN EL CASO DE USTED.

ESTA GARANTÍA LIMITADA LE CONFIERE A USTED DERECHOS LEGALES ESPECÍFICOS Y ES POSIBLE QUE USTED TAMBIÉN TENGA OTROS DERECHOS QUE VARÍAN DE ESTADO A ESTADO EN LOS EE.UU., DE PROVINCIA A PROVINCIA EN CANADÁ Y DE PAÍS EN PAÍS.

ESTA GARANTÍA LIMITADA SE APLICA SÓLO A LOS PRODUCTOS VENDIDOS EN LOS ESTADOS UNIDOS DE AMÉRICA, CANADÁ Y EL ESTADO LIBRE ASOCIADO DE PUERTO RICO. PARA COBERTURA DE GARANTÍA EN OTROS PAÍSES, PÓNGASE EN CONTACTO CON SU DISTRIBUIDOR O IMPORTADOR LOCAL DE SKIL.

© Chervon North America, 1203 E. Warrenville Rd, Naperville, IL 60563.

04/19

