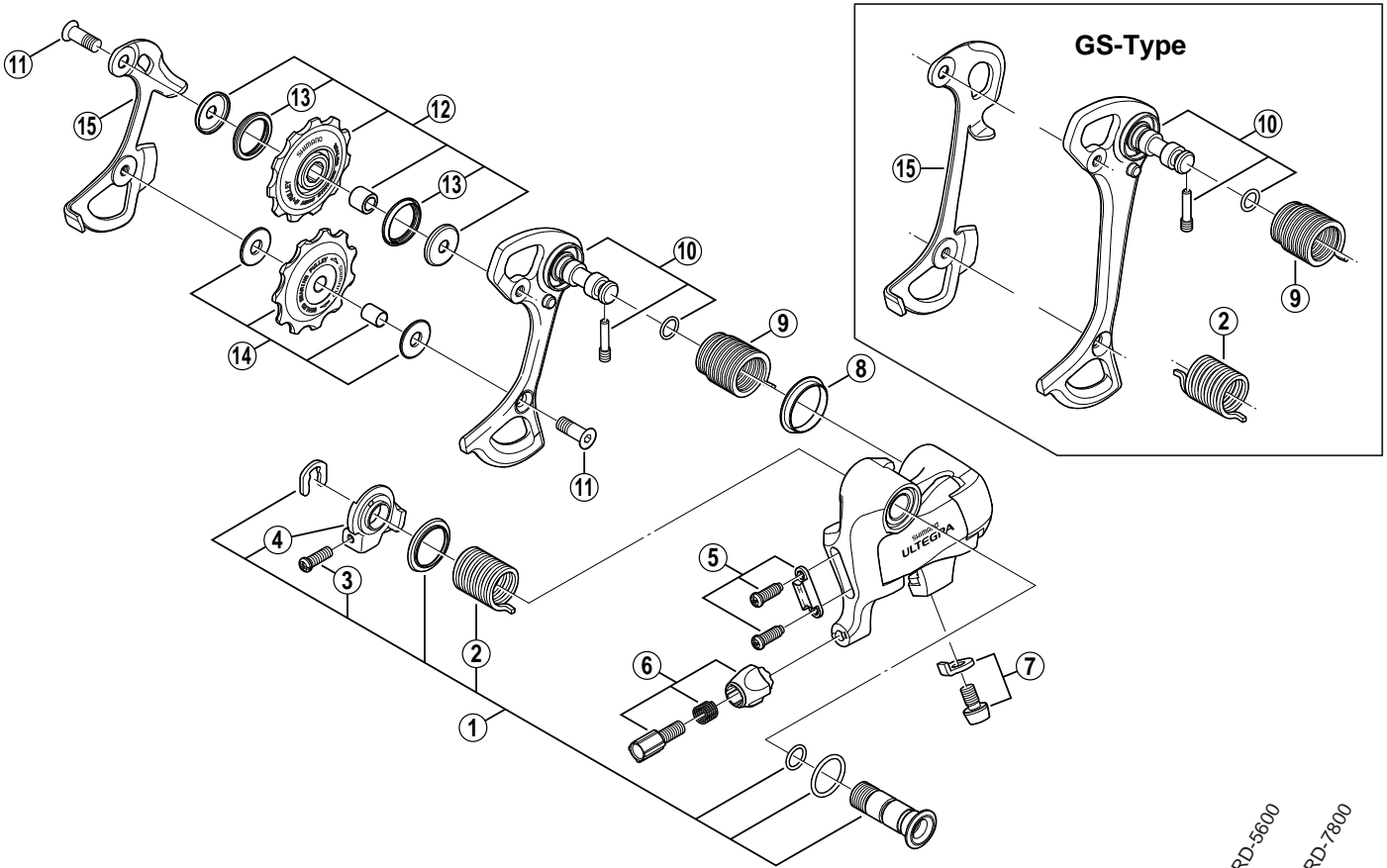


SHIMANO ULTEGRA Rear Derailleur (10-Speed)

RD-6600 RD-6600-G Ice Grey Version **(SS:Short Cage)**
RD-6600 RD-6600-G Ice Grey Version **(GS:Long Cage)**



RD-5600
RD-7800

ITEM NO.	SHIMANO CODE NO.	DESCRIPTION	INTERCHANGEABILITY	
			RD-5600	RD-7800
*	Y-5VG98010	B-Axle Assembly (SS-Type)		
1	Y-5VG98020	B-Axle Assembly (GS-Type)		
	Y-5VG98011	B-Axle Assembly (SS-Type) G(Ice Grey version)		
	Y-5VG98021	B-Axle Assembly (GS-Type) G(Ice Grey version)		
	Y-5V5 15000	B-Tension Spring (SS-Type)	A	A
*	Y-5V5 24000	B-Tension Spring (GS-Type)	A	A
*	Y-556 25020	B-Tension Adjusting Screw (M4 x 12)	A	B
	Y-53M21000	B-Tension Adjusting Screw (M4 x 12) G(Ice Grey version)	B	A
4	Y-5TM11100	Stopper Plate		A
*	Y-5VG98030	Stroke Adjusting Screws (M4 x 14.5) & Plate	A	B
	Y-5VG98031	Stroke Adjusting Screws (M4 x 11.5) & Plate G(Ice Grey version)	B	A
6	Y-5VG98040	Cable Adjusting Bolt Unit	B	A
*	Y-5VG98050	Cable Fixing Bolt (M5 x 8) & Plate	B	
	Y-5VG98051	Cable Fixing Bolt (M5 x 8) & Plate G(Ice Grey version)	B	
8	Y-5UC14000	P-Seal Ring	A	
9	Y-5VG14000	P-Tension Spring (SS-Type)	A	
	Y-5VG15000	P-Tension Spring (GS-Type)	A	
*	Y-5VG98070	Outer Plate Assembly (SS-Type)	B	
	Y-5VG98090	Outer Plate Assembly (GS-Type)	B	
	Y-5VG98071	Outer Plate Assembly (SS-Type) G(Ice Grey version)	B	
	Y-5VG98091	Outer Plate Assembly (GS-Type) G(Ice Grey version)	B	
11	Y-53M24000	Pulley Bolt	A	A
12	Y-5VG98100	Guide Pulley Unit		
13	Y-53B 18000	Pulley Seal Ring		
14	Y-5TP 98090	Tension Pulley Unit		
*	Y-5V5 08100	Inner Plate (SS-Type)	A	B
	Y-5VG09000	Inner Plate (GS-Type)	A	B
	Y-5V5 08200	Inner Plate (SS-Type) G(Ice Grey version)	B	B
	Y-5VG09200	Inner Plate (GS-Type) G(Ice Grey version)	B	B

A: Same parts.

B: Parts are usable, but differ in materials, appearance, finish, size, etc.

Absence of mark indicates non-interchangeability.

0704-2358A

Specifications are subject to change without notice.

SHIMANO