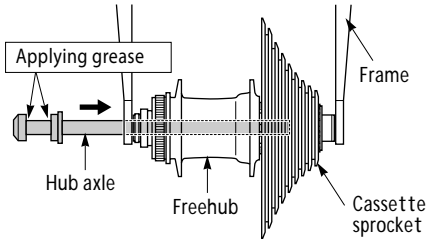


Installation of RD-M800/M600 to frame (MTB)

■ RD-M800 / RD-M805

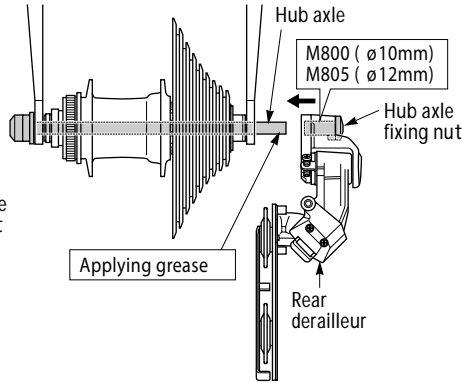
1 Install the sprockets to the FH-M805 / FH-M800 freehub, place the freehub onto the frame and pass the hub axle through it.



Freewheel hub / Rear derailleur tightening torque:
35 - 45 N · m (305 - 392 in.lbs)

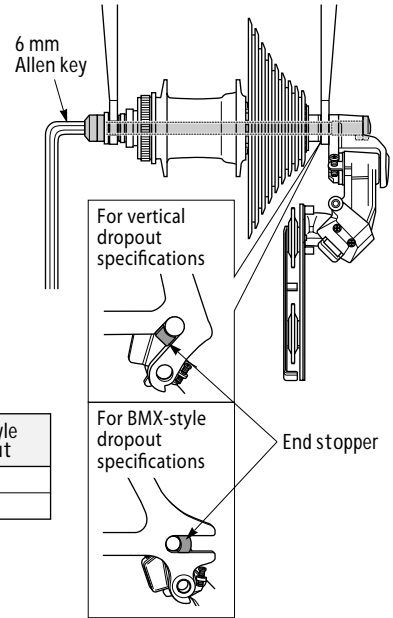
2 Install the hub axle fixing nut that is attached to the rear derailleur onto the hub axle.

* FH-M805 (\varnothing 12mm), FH-M800 (\varnothing 10mm)



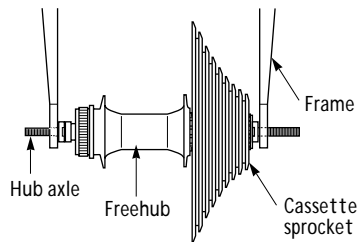
	Axle diameter	Vertical dropout	BMX-style dropout
FH-M800	\varnothing 10mm	X	X
FH-M805	\varnothing 12mm	X	-

3 Turn the hub axle to secure the freehub and the rear derailleur to the frame. Check that the pawl on the fork end is set into the end stopper.



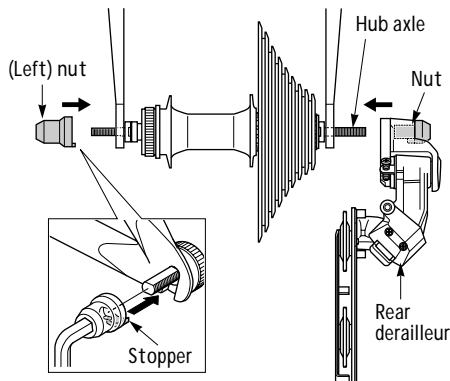
■ RD-M600

1 Install the sprockets to the FH-M600 freehub and then place the freehub onto the frame.



Freewheel hub / Rear derailleur tightening torque:
35 - 45 N · m (305 - 392 in.lbs)

2 Secure the freehub to the frame with the (left) nut. (Secure the freehub to the frame at the position where the stopper of the left nut is inside the notch of the dropout.)



3 Secure the freehub and the rear derailleur with the nut. Check that the pawl on the fork end is set into the end stopper.

