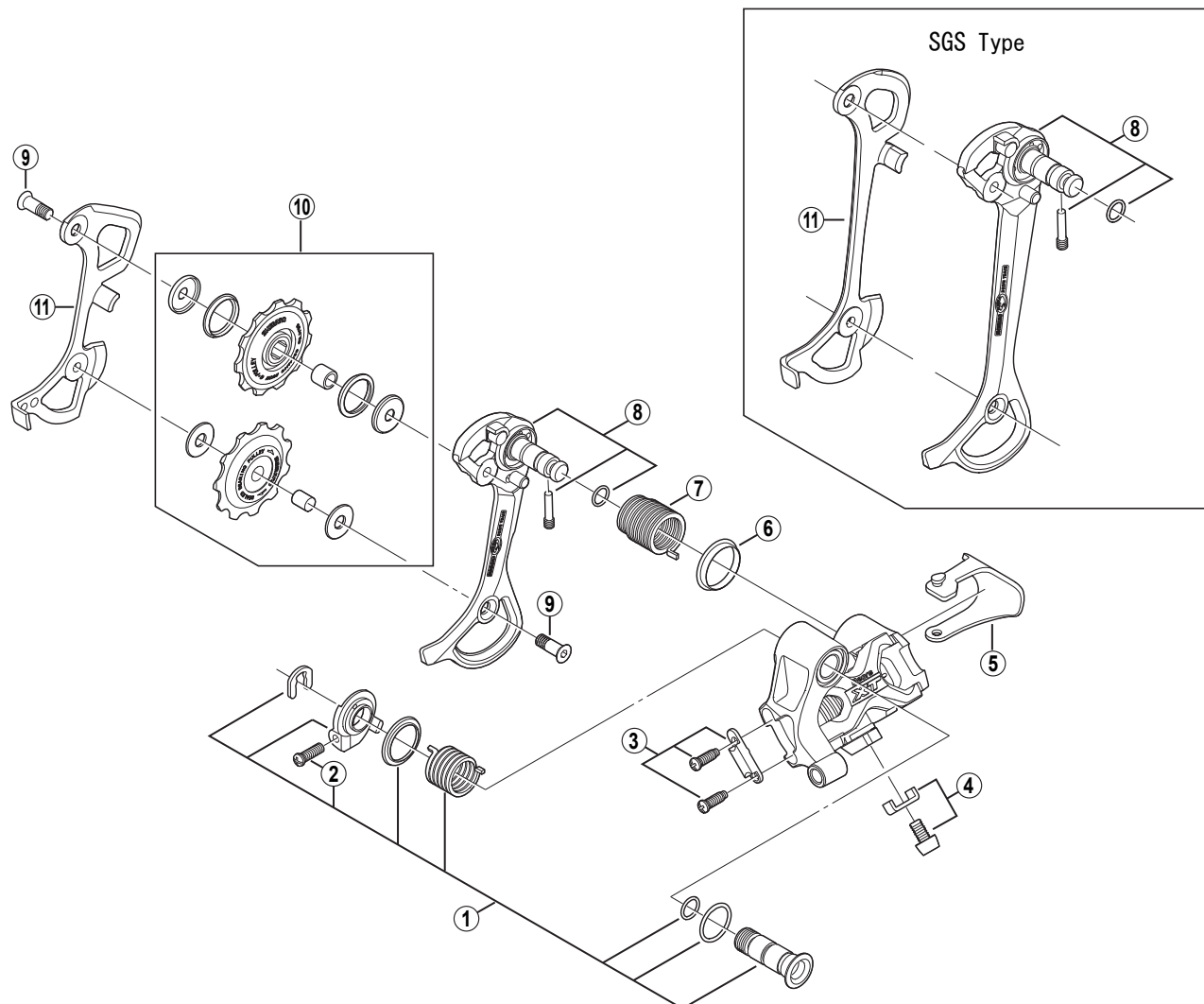


DEORE XT Rear Derailleur

RD-M770 (GS) Long Cage

RD-M770 (SGS) Super Long Cage



ITEM NO.	SHIMANO CODE NO.	DESCRIPTION	INTERCHANGEABILITY		
			RD-M970	RD-M760	RD-M771
1	Y-5W598010	B-Axle Assembly	A	A	
2	Y-556 25020	B-Tension Adjusting Screw (M4 x 10)	A	A	
3	Y-5W598020	Stroke Adjusting Screws (M4 x 11.5) & Plate		A	
4	Y-5W598030	Cable Fixing Bolt (M5 x 8) & Plate		B	A
5	Y-5VA 16000	Cover	A	A	
6	Y-5UC14000	P-Seal Ring	A	A	
7	Y-5UF 14000	P-Tension Spring	A	A	
8	Y-5W598040	Outer Plate Assembly (GS-Type)		B	A
	Y-5W598050	Outer Plate Assembly (SGS-Type)		B	A
9	Y-53M24000	Pulley Bolt	B	A	A
10	Y-5W598080	Guide & Tension Pulley Unit		A	A
11	Y-5U5 09300	Inner Plate (GS-Type)		B	A
	Y-5W510000	Inner Plate (SGS-Type)		B	A

A: Same parts.

B: Parts are usable, but differ in materials, appearance, finish, size, etc.

Absence of mark indicates non-interchangeability.

0707-2705A

Specifications are subject to change without notice.

SHIMANO